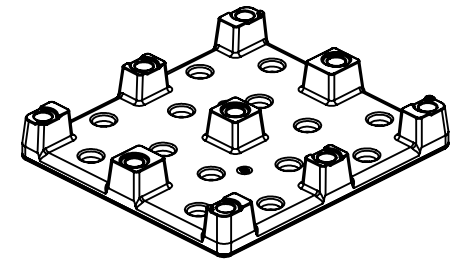
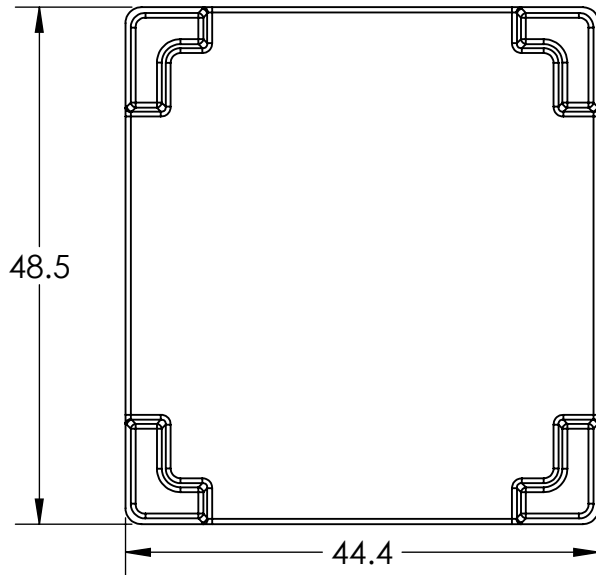
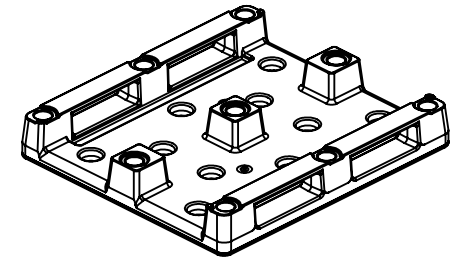


4WY ARMOR BASE (1949600M)

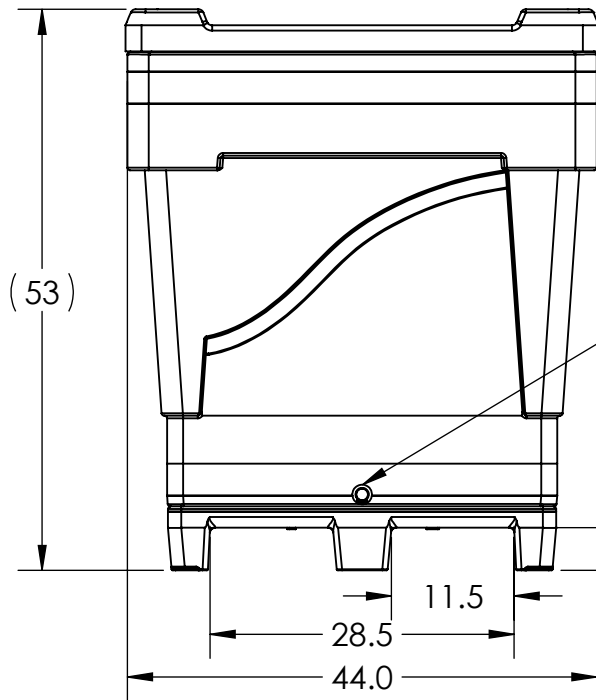


RO ARMOR BASE (1949700M)

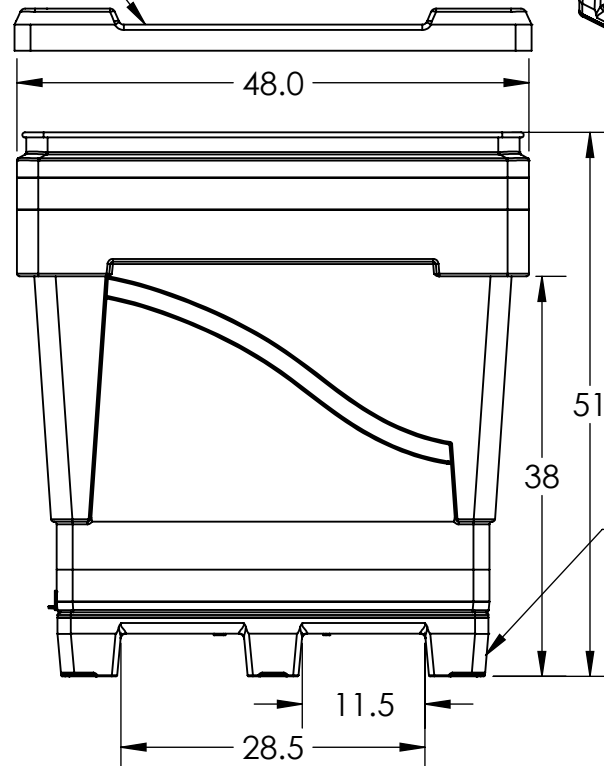


4WY BASE MAKES: 3051 ARMOR BIN  
RO BASE MAKES: 4051 ARMOR BIN

OPTIONAL LID SHOWN  
(1942900M)



OPTIONAL  
DRAIN SHOWN  
(34500102)



SHOWN WITH THE 4WY  
BASE

ALL DIMENSIONS ARE IN INCHES, NOMINAL, & SUBJECT TO CHANGE WITHOUT NOTICE.  
ALL DIMENSIONS ON ROTATIONAL MOLDED PARTS ARE SUBJECT TO A  $\pm$  3% TOLERANCE.

DO NOT SCALE		DRAWN BY	BONAR PLASTICS	TITLE:	REVISION
STATUS:	Released	TJK	www.bonarplastics.com	<b>BIN 51TALL ARMOR</b>	SHEET
© SNYDER INDUSTRIES INC., 2017		1005 Atlantic Drive West Chicago, IL 60185 (630)293-0303		PART NO.	1 OF 1
ALL DIMENSIONS, DESIGNS, AND INFORMATION ON THIS PRINT MUST BE CONSIDERED PROPRIETARY TO SNYDER INDUSTRIES, INC. AND MAY NOT BE REPRODUCED, COPIED, OR DISTRIBUTED WITHOUT WRITTEN PERMISSION OF AN OFFICER (OR HIS AGENT) OF THE FIRM.		www.bonarplastics.com		1945800M	ENG. ID. D007276