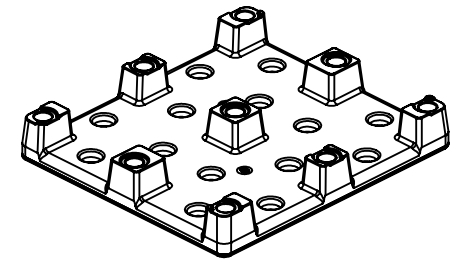
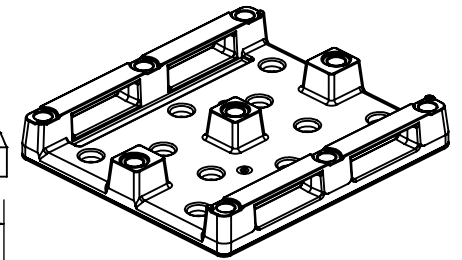


4WY ARMOR BASE (1949600M)

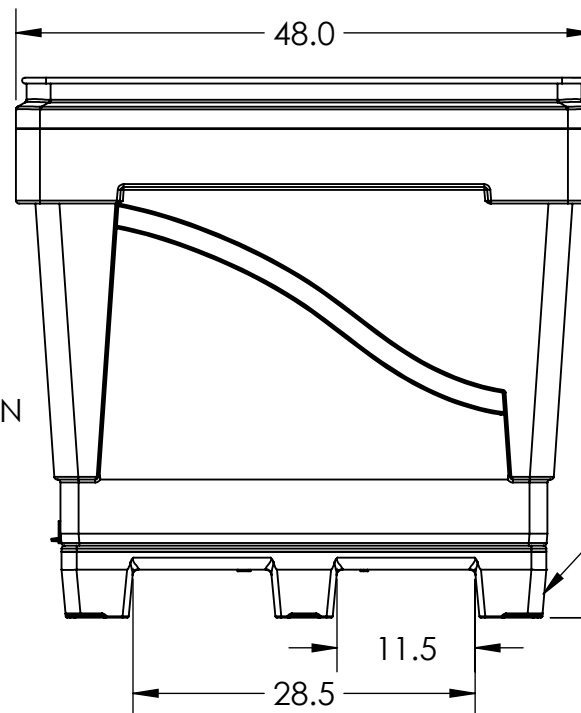
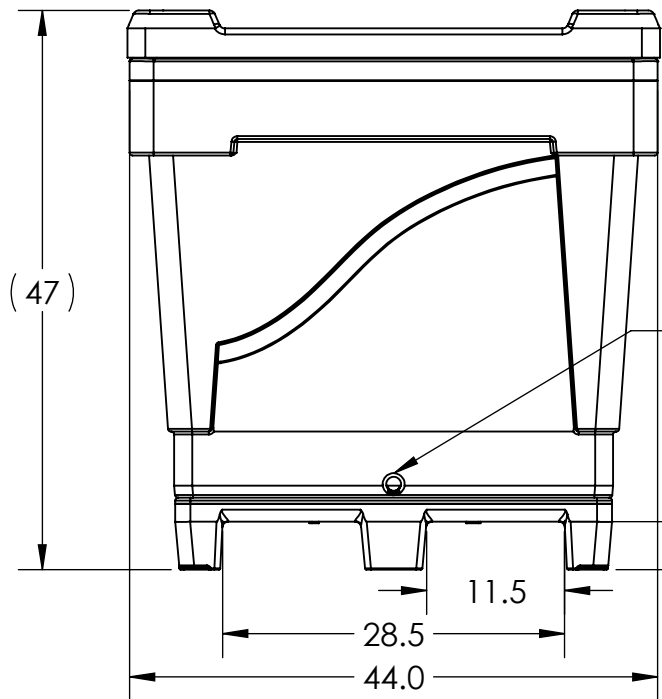
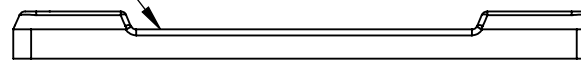


4WY BASE MAKES: 3045 ARMOR BIN
RO BASE MAKES: 4045 ARMOR BIN

RO ARMOR BASE (1949700M)



OPTIONAL LID SHOWN
(1942900M)



ALL DIMENSIONS ARE IN INCHES, NOMINAL, & SUBJECT TO CHANGE WITHOUT NOTICE.
ALL DIMENSIONS ON ROTATIONAL MOLDED PARTS ARE SUBJECT TO A ± 3% TOLERANCE.

| | | | | | |
|---|----------|--|-----------------------|-------------------------|---------------------|
| DO NOT SCALE | | DRAWN BY | BONAR PLASTICS | TITLE: | REVISION |
| STATUS: | Released | TJK | www.bonarplastics.com | BIN 45TALL ARMOR | SHEET |
| © SNYDER INDUSTRIES INC., 2017 | | 1005 Atlantic Drive West Chicago, IL 60185 (630)293-0303 | | PART NO. | 1 OF 1 |
| ALL DIMENSIONS, DESIGNS, AND INFORMATION ON THIS PRINT MUST BE CONSIDERED PROPRIETARY TO SNYDER INDUSTRIES, INC. AND MAY NOT BE REPRODUCED, COPIED, OR DISTRIBUTED WITHOUT WRITTEN PERMISSION OF AN OFFICER (OR HIS AGENT) OF THE FIRM. | | www.bonarplastics.com | | 1945600M | ENG. ID. D007272 |