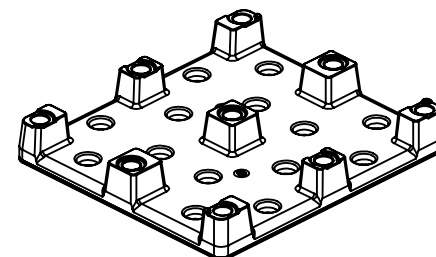
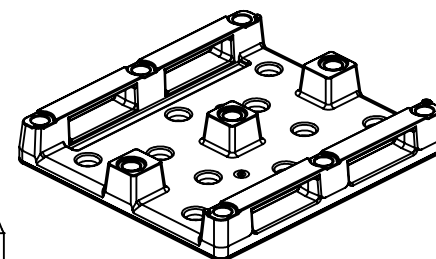


4WY BASE MAKES: 3033 ARMOR BIN  
 RO BASE MAKES: 4033 ARMOR BIN

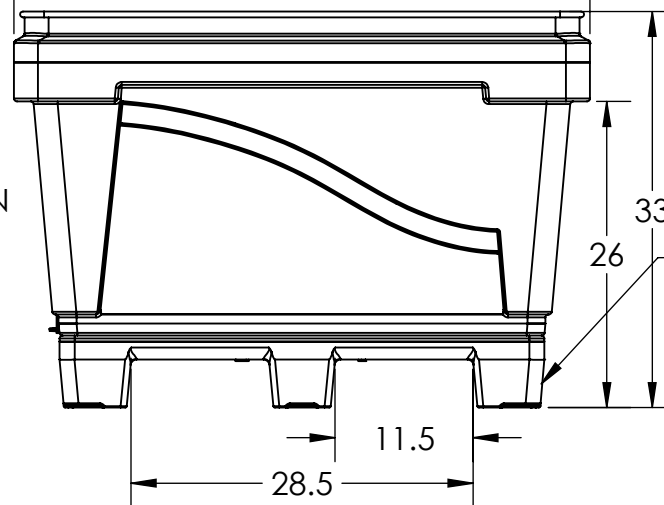
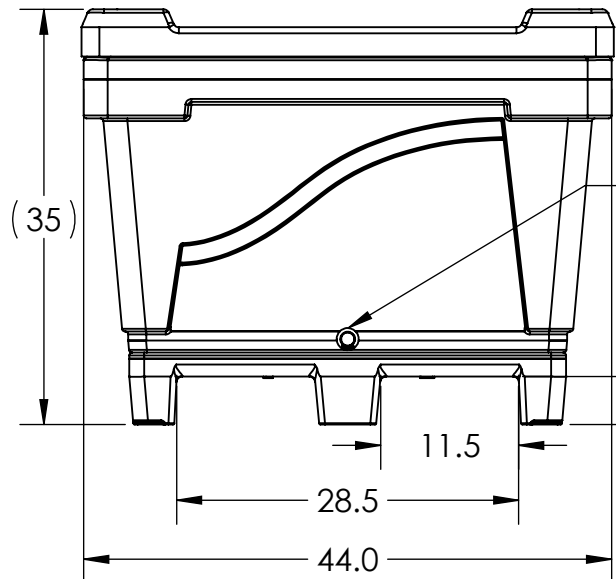
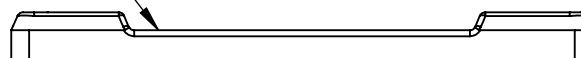
4WY ARMOR BASE (1949600M)



RO ARMOR BASE (1949700M)



OPTIONAL LID SHOWN (1942900M)



SHOWN WITH THE 4WY BASE

ALL DIMENSIONS ARE IN INCHES, NOMINAL, & SUBJECT TO CHANGE WITHOUT NOTICE.  
 ALL DIMENSIONS ON ROTATIONAL MOLDED PARTS ARE SUBJECT TO A ± 3% TOLERANCE.

|   |          |  |                       |                  |                     |
|---|----------|--|-----------------------|------------------|---------------------|
| DO NOT SCALE  |          | DRAWN BY   | BONAR PLASTICS        | TITLE:           | REVISION            |
| STATUS:   | Released | TJK  | www.bonarplastics.com | BIN 33TALL ARMOR | SHEET               |
| © SNYDER INDUSTRIES INC., 2017  |          | 1005 Atlantic Drive<br>West Chicago, IL 60185<br>(630)293-0303 |                       | PART NO.         | 1 OF 1              |
| ALL DIMENSIONS, DESIGNS, AND INFORMATION ON THIS PRINT MUST BE CONSIDERED PROPRIETARY TO SNYDER INDUSTRIES, INC. AND MAY NOT BE USED, COPIED, OR DISTRIBUTED WITHOUT WRITTEN PERMISSION OF AN OFFICER (OR HIS AGENT) OF THE FIRM. |          | www.bonarplastics.com  |                       | 1945200M         | ENG. ID.<br>D007204 |