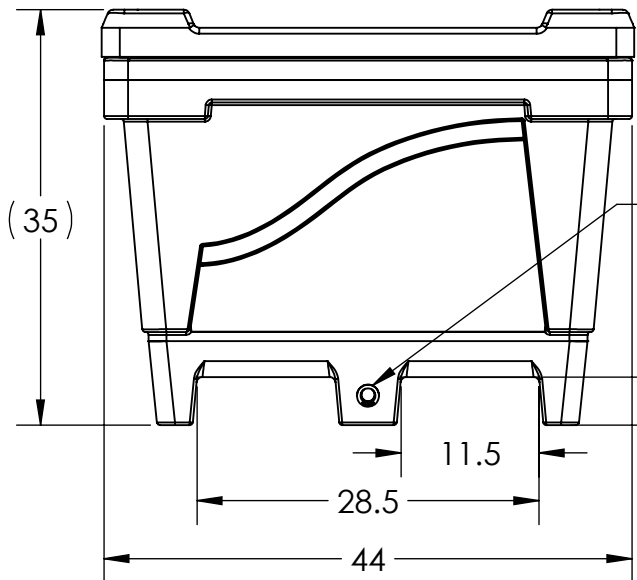
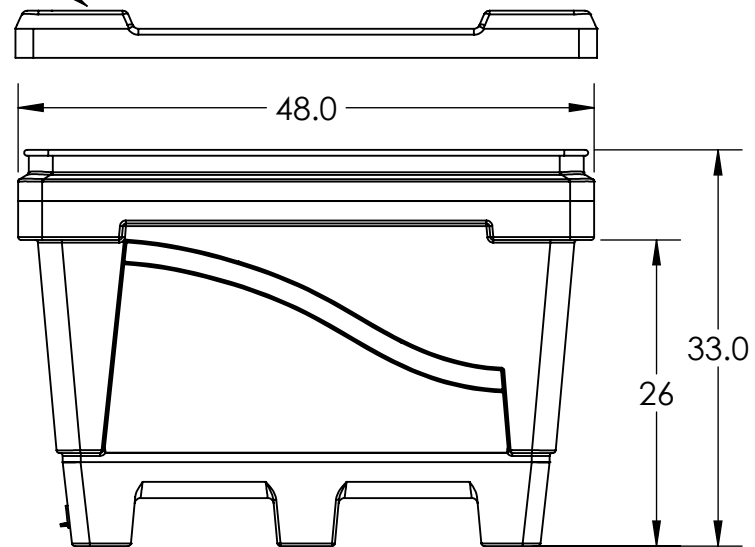


OPTIONAL LID SHOWN
(1942900M)



OPTIONAL DRAIN SHOWN
(34500102)



ALL DIMENSIONS ARE IN INCHES, NOMINAL, & SUBJECT TO CHANGE WITHOUT NOTICE.
ALL DIMENSIONS ON ROTATIONAL MOLDED PARTS ARE SUBJECT TO A \pm 3% TOLERANCE.

| | | | | | |
|---|----------|----------|---|-------------------------------|-----------------|
| DO NOT SCALE | | DRAWN BY | BONAR PLASTICS www.bonarplastics.com | TITLE: | REVISION |
| STATUS: | Released | TJK | 1005 Atlantic Drive West Chicago, IL 60185 (630)293-0303 www.bonarplastics.com | BIN 1033 ARMOR 4WY-MLD | SHEET 1 OF 1 |
| © SNYDER INDUSTRIES INC., 2017 | | | PART NO. | ENG. ID. | |
| ALL DIMENSIONS, DESIGNS, AND INFORMATION ON THIS PRINT MUST BE CONSIDERED PROPRIETARY TO SNYDER INDUSTRIES, INC. AND MAY NOT BE USED, COPIED, OR DISTRIBUTED WITHOUT WRITTEN PERMISSION OF AN OFFICER (OR HIS AGENT) OF THE FIRM. | | | 1943000M | D007169 | |