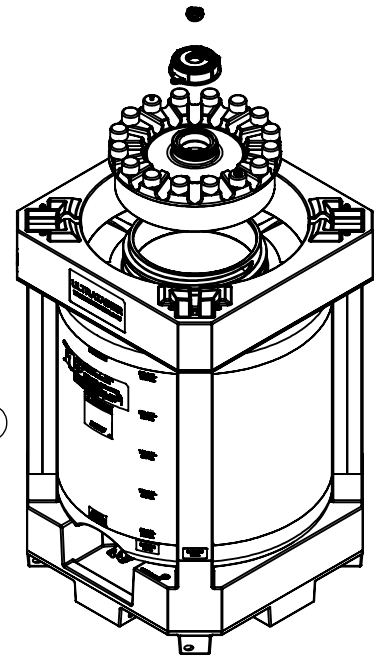
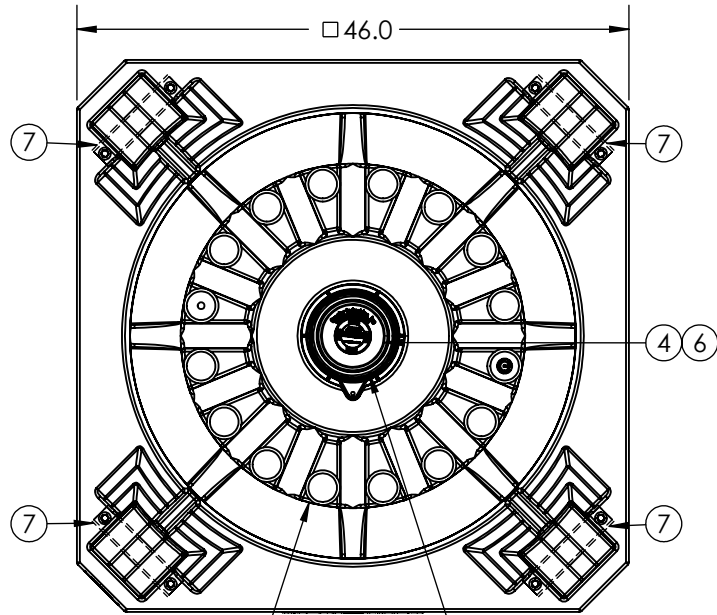
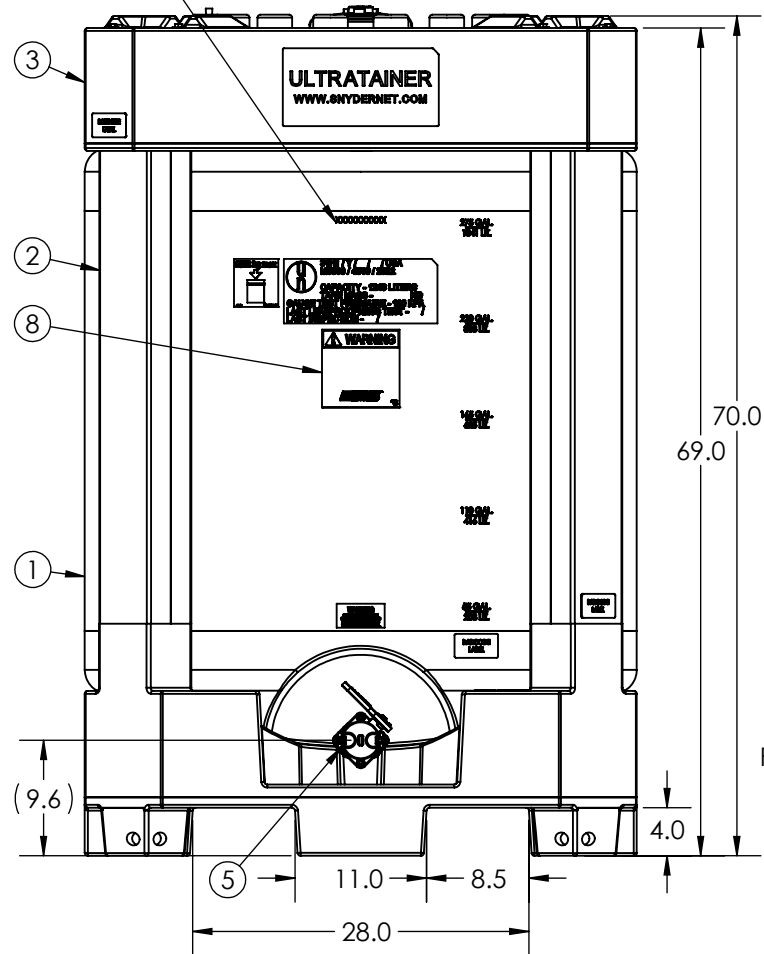


10 DIGIT SERIAL NUMBER



FILLNECK I.D. IS 20.25"

FILLNECK I.D IS 5"

FORK OPENING DIMENSIONS ARE THE SAME ON ALL FOUR SIDES

U.N. MARKINGS TO READ:

	31H1/Y/ / /USA M5833 / 4540 / 2522
	CAPACITY - 1249 LITERS TARE MASS - KG GAUGE TEST PRESSURE - 100 KPA LAST LEAKPROOFNESS TEST - / LAST INSPECTION - /

8	1	34701262	STD IBC ASSEMBLY KIT W/BAG
7	1	34700905	ASM PIN PURCH PLASTIC W/BOLTS-ULTRA
6	1	34700822	ASM VENT PE 2IN VACUUM SII W/EPDM
5	1	34702616	ASM VALVE 2IN 4-BOLT STUBBY 100KPA
4	1	6750000B99901	ASM CAP 20IN HD/LGRY 2IN CENTER
3	1	6700000B86301	ASM TOP PROTECTOR ULT HD/CBL
2	1	6870000B86301	ASM BASE 330 ULT HD/CBL
1	1	6840003B97201	ASM TK 330 ULT 20CAP HD/NAT

ITEM NO.	QTY.	PART NUMBER	DESCRIPTION
DO NOT SCALE		DRAWN BY	TITLE:
STATUS: Released		SB	ASM TK 330 ULT 20CAP NAT BLUE EPDM
© SNYDER INDUSTRIES, LLC, 2019			REVISION: B
ALL DIMENSIONS, DESIGNS, AND INFORMATION ON THIS PRINT MUST BE CONSIDERED PROPRIETARY TO SNYDER INDUSTRIES, LLC, AND MAY NOT BE USED, COPIED, OR DISTRIBUTED WITHOUT WRITTEN PERMISSION OF AN OFFICER (OR HIS AGENT) OF THE FIRM.			PART NO. 6840003B97202
		(402) 467-5221 www.snydernet.com	ENG. ID. D007153

ALL DIMENSIONS ARE IN INCHES, NOMINAL, & SUBJECT TO CHANGE WITHOUT NOTICE.
 ALL DIMENSIONS ON ROTATIONAL MOLDED PARTS ARE SUBJECT TO A ± 3% TOLERANCE.