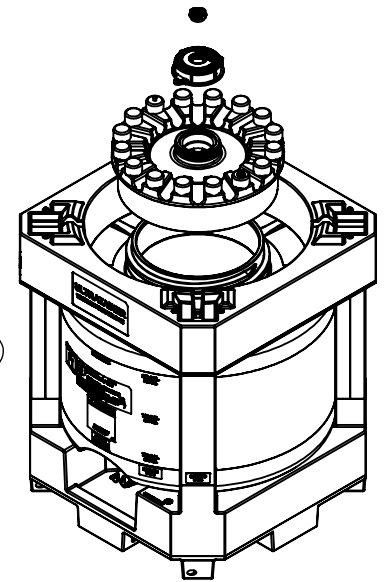
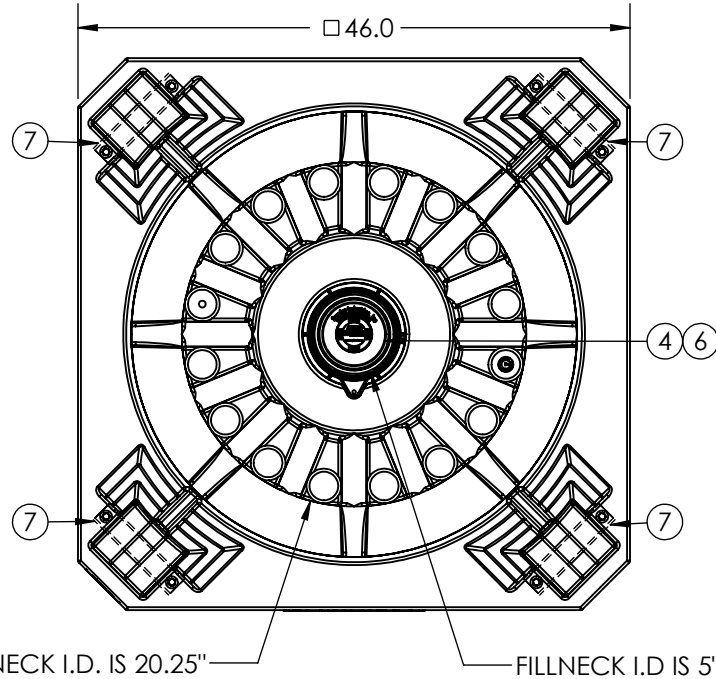
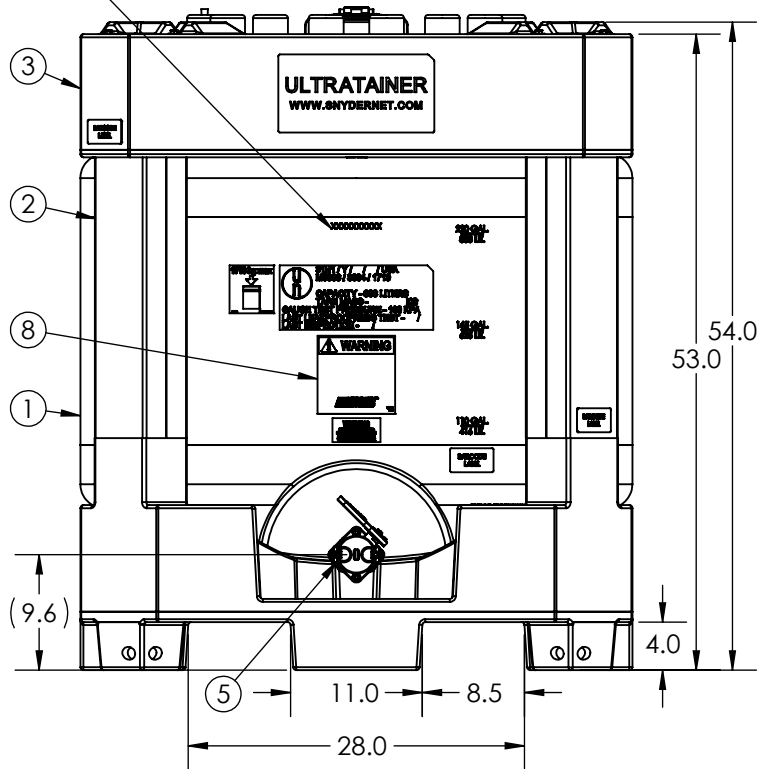


10 DIGIT SERIAL NUMBER



FORK OPENING DIMENSIONS ARE THE SAME ON ALL FOUR SIDES

U.N. MARKINGS TO READ:

	31H1/Y/ / /USA M5833 / 3084 / 1713
	CAPACITY - 833 LITERS TARE MASS - KG GAUGE TEST PRESSURE - 100 KPA LAST LEAKPROOFNESS TEST - / LAST INSPECTION - /

ITEM NO.	QTY.	PART NUMBER	DESCRIPTION
8	1	34701262	STD IBC ASSEMBLY KIT W/BAG
7	1	34700905	ASM PIN PURCH PLASTIC W/BOLTS-ULTRA
6	1	34700822	ASM VENT PE 2IN VACUUM SII W/EPDM
5	1	34702616	ASM VALVE 2IN 4-BOLT STUBBY 100KPA
4	1	6750000B99901	ASM CAP 20IN HD/LGRY 2IN CENTER
3	1	6700000B86301	ASM TOP PROTECTOR ULT HD/CBL
2	1	6850000B86301	BASE 220 ULT HD/CBL
1	1	6820006B97201	ASM TK 220 ULT 20CAP HD/NAT

SNYDER INDUSTRIES U.N. MARKED CONTAINER CLOSURE NOTIFICATION.

ALL DIMENSIONS ARE IN INCHES, NOMINAL, & SUBJECT TO CHANGE WITHOUT NOTICE.
 ALL DIMENSIONS ON ROTATIONAL MOLDED PARTS ARE SUBJECT TO A ± 3% TOLERANCE.

DO NOT SCALE Released		DRAWN BY SB		TITLE: ASM TK 220 ULT 20CAP NAT/CBL EPDM	REVISION B
© SNYDER INDUSTRIES, LLC, 2019		(402) 467-5221 www.snydernet.com		PART NO. 6820006B97205	ENG. ID. D007151

ALL DIMENSIONS, DESIGNS, AND INFORMATION ON THIS PRINT MUST BE CONSIDERED PROPRIETARY TO SNYDER INDUSTRIES, LLC, AND MAY NOT BE USED, COPIED, OR DISTRIBUTED WITHOUT WRITTEN PERMISSION OF AN OFFICER (OR HIS AGENT) OF THE FIRM.