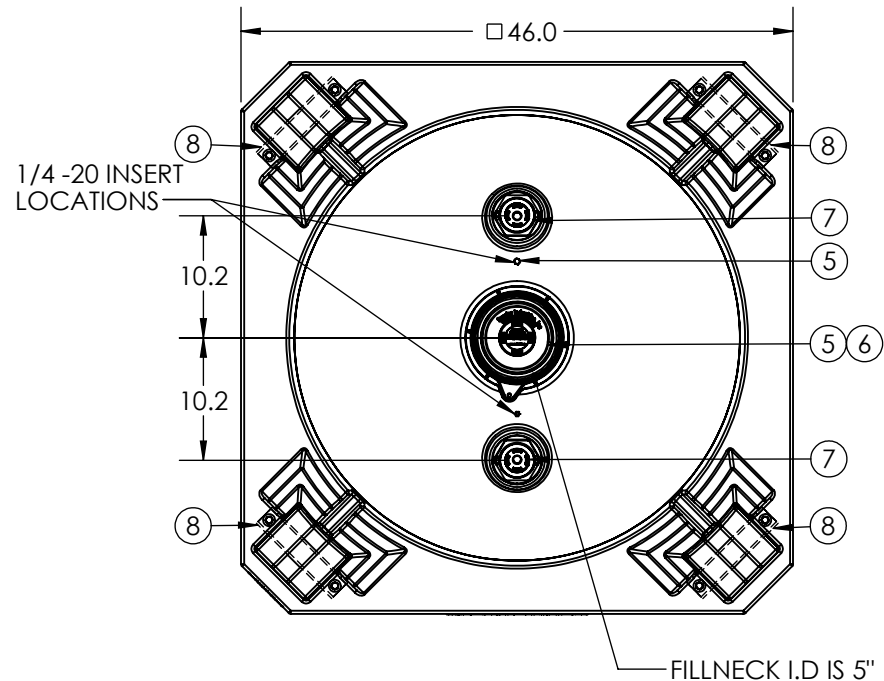
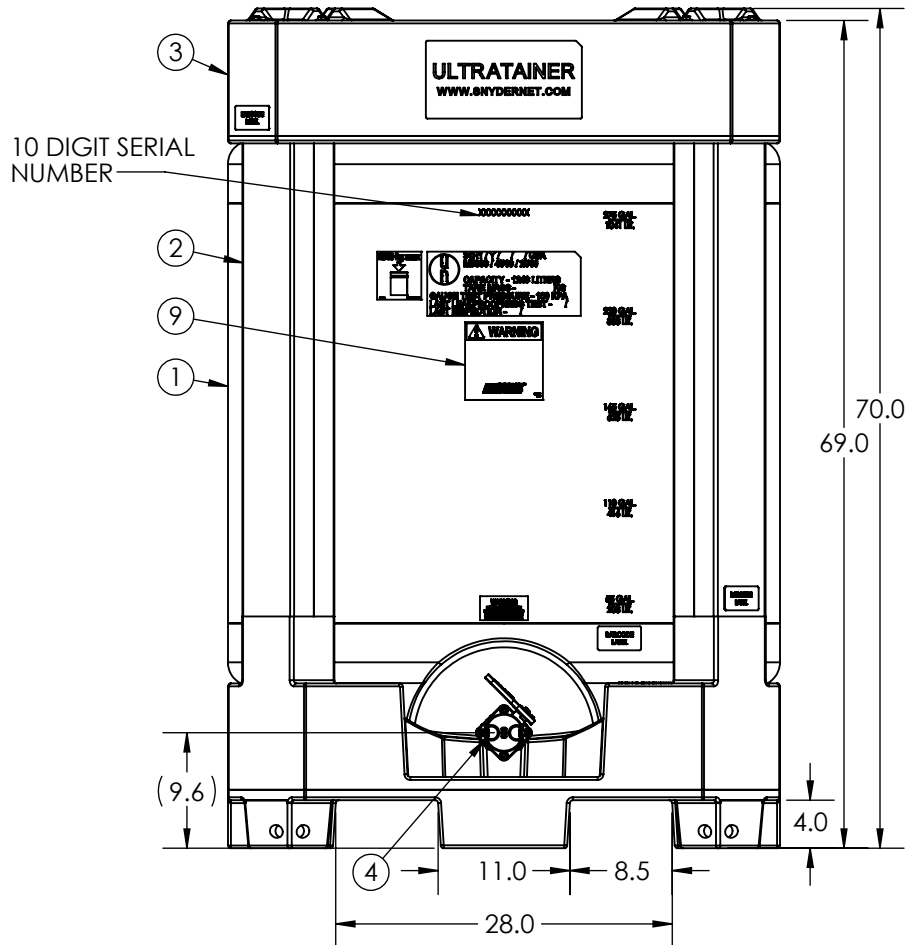


CUSTOMER APPROVAL

APPROVED FOR PRODUCTION AS DRAWN.
 REVISE AS NOTED & RESUBMIT FOR APPROVAL.
 SIGNATURE: _____
 DATE: _____
 DRAWING IS NOT VALID UNLESS SIGNED



FORK OPENING DIMENSIONS ARE THE SAME ON ALL FOUR SIDES

U.N. MARKINGS TO READ:



31H1 / Y / / / USA
M5833 / 4518 / 2510

CAPACITY - 1249 LITERS
TARE MASS - KG
GAUGE TEST PRESSURE - 100 KPA
LAST LEAKPROOFNESS TEST - /
LAST INSPECTION - /

SNYDER INDUSTRIES U.N. MARKED CONTAINER CLOSURE NOTIFICATION.

ALL DIMENSIONS ARE IN INCHES, NOMINAL, & SUBJECT TO CHANGE WITHOUT NOTICE.
 ALL DIMENSIONS ON ROTATIONAL MOLDED PARTS ARE SUBJECT TO A ± 3% TOLERANCE.

9	1	34701262	STD IBC ASSEMBLY KIT W/BAG
8	1	34700905	ASM PIN PURCH PLASTIC W/BOLTS-ULTRA
7	2	34700340	ASM PLUG 2IN NPS BUNG W/EPDM-WHITE
6	1	34700822	ASM VENT PE 2IN VACUUM SII W/EPDM
5	1	34700391	ASM CAP PE 6IN H.DUTY 2IN NPS-EPDM W/TIE
4	1	34702616	ASM VALVE 2IN 4-BOLT STUBBY 100KPA
3	1	6700000B86301	ASM TOP PROTECTOR ULT HD/CBL
2	1	6870000B86301	ASM BASE 330 ULT HD/CBL
1	1	6840000B97201	ASM TK 330 ULT 6CAP/2RB HD/NAT

ITEM NO.	QTY.	PART NUMBER	DESCRIPTION
DO NOT SCALE		DRAWN BY	REVISION
STATUS: Released		SB	B
© SNYDER INDUSTRIES, LLC, 2019			TITLE: ASM TK 330 ULT NAT 2RB BLUE EPDM
ALL DIMENSIONS, DESIGNS, AND INFORMATION ON THIS PRINT MUST BE CONSIDERED PROPRIETARY TO SNYDER INDUSTRIES, LLC, AND MAY NOT BE USED, COPIED, OR DISTRIBUTED WITHOUT WRITTEN PERMISSION OF AN OFFICER (OR HIS AGENT) OF THE FIRM.			PART NO. 6840000B97202
		(402) 467-5221 www.snydermet.com	SHEET 1 OF 1