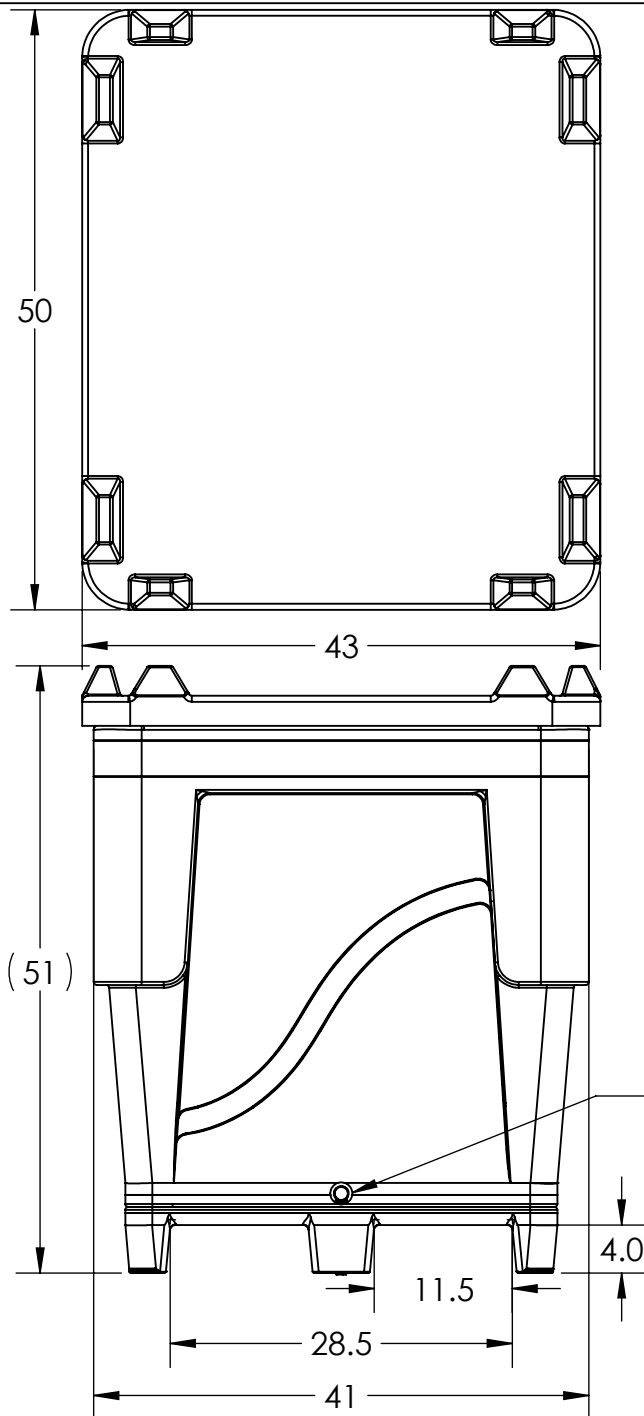
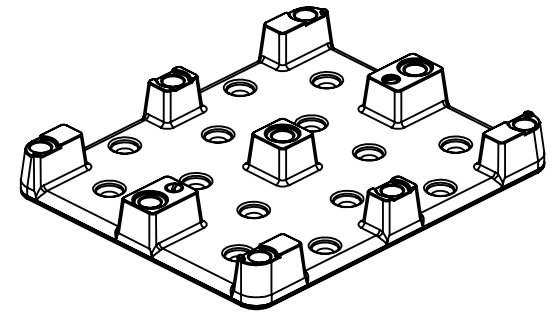
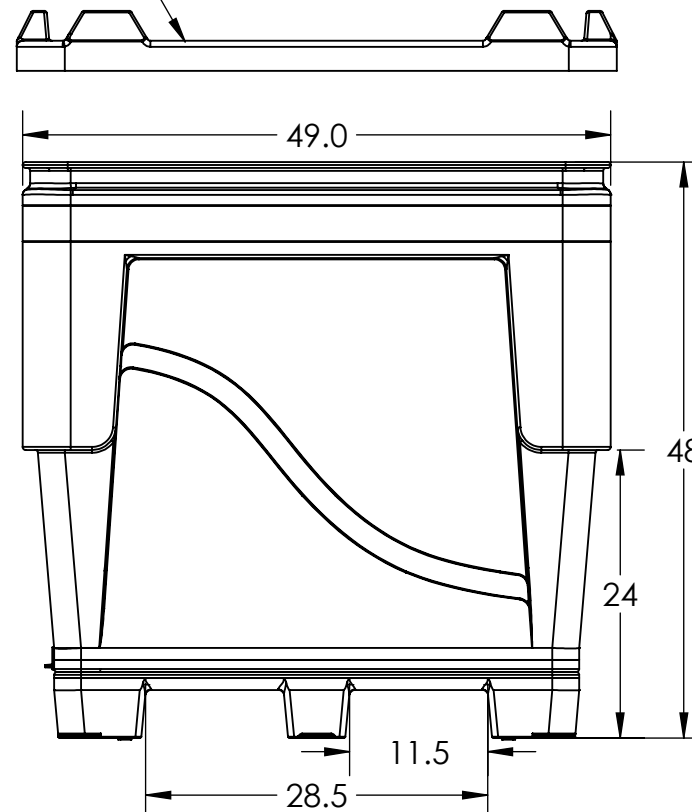


4WY ARMOR BASE (1949800M)



OPTIONAL LID SHOWN
(1942800M)



OPTIONAL DRAIN SHOWN
(34500102)

ALL DIMENSIONS ARE IN INCHES, NOMINAL, & SUBJECT TO CHANGE WITHOUT NOTICE.
ALL DIMENSIONS ON ROTATIONAL MOLDED PARTS ARE SUBJECT TO A \pm 3% TOLERANCE.

DO NOT SCALE		DRAWN BY TJK	BONAR PLASTICS WWW.BONARPLASTICS.COM	TITLE: ASM 7048 ARMOR 4WY	REVISION A
STATUS: Released		© SNYDER INDUSTRIES INC., 2017		1005 Atlantic Drive West Chicago, IL 60185 (630)293-0303	SHEET 1 OF 1
		www.bonarplastics.com		PART NO. 1949000M	ENG. ID. D007115