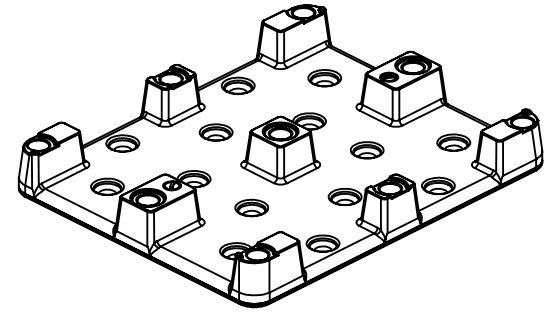
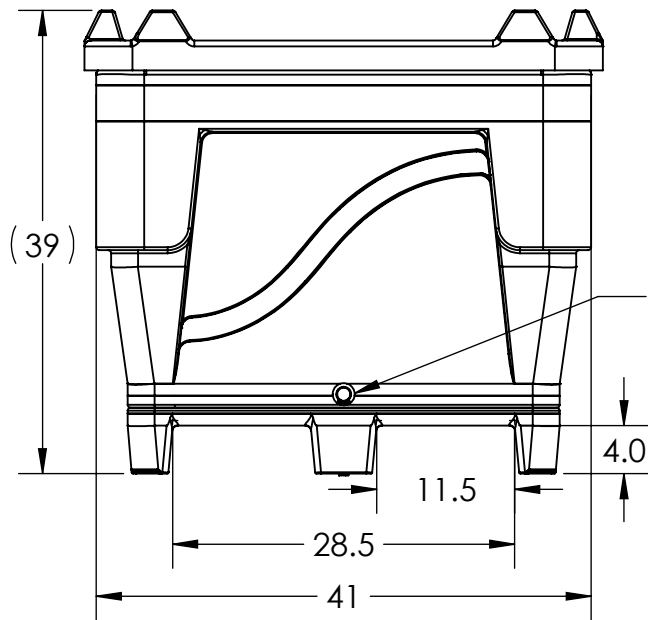


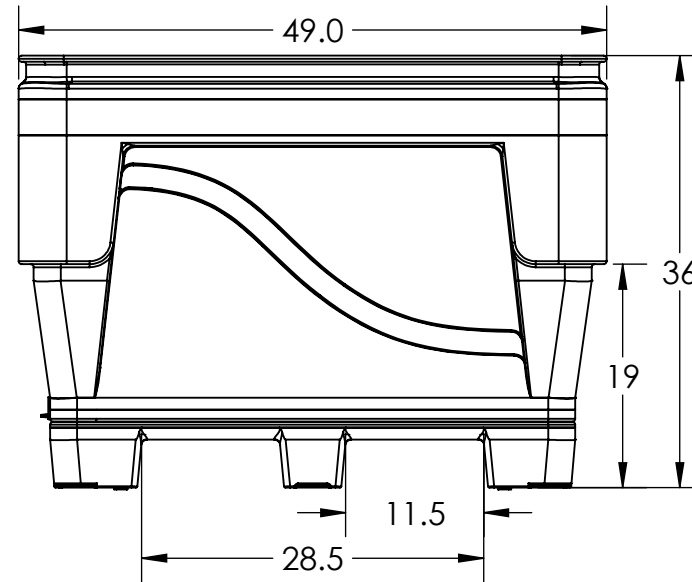
4WY ARMOR BASE (1949800M)



OPTIONAL LID SHOWN (1942800M)



OPTIONAL DRAIN SHOWN (34500102)



ALL DIMENSIONS ARE IN INCHES, NOMINAL, & SUBJECT TO CHANGE WITHOUT NOTICE.
ALL DIMENSIONS ON ROTATIONAL MOLDED PARTS ARE SUBJECT TO A \pm 3% TOLERANCE.

DO NOT SCALE		DRAWN BY	 www.bonarplastics.com	TITLE:	REVISION
STATUS:	Released	TJK		ASM 7036 ARMOR 4WY	A
© SNYDER INDUSTRIES INC., 2017		1005 Atlantic Drive West Chicago, IL 60185 (630)293-0303 www.bonarplastics.com		PART NO.	SHEET
				1948600M	1 OF 1
				ENG. ID.	D007109