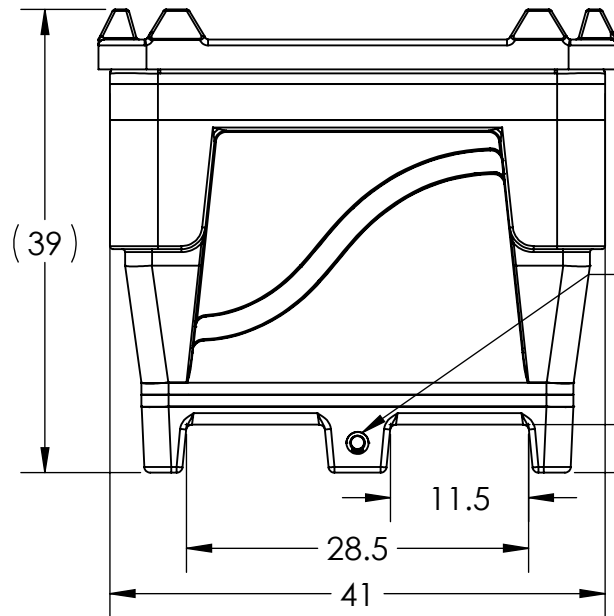
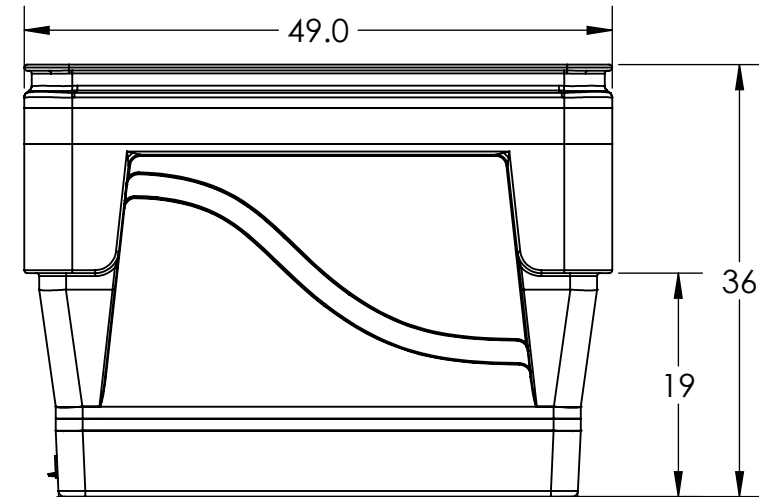
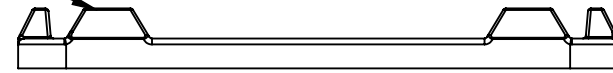


OPTIONAL LID SHOWN
(1942800M)



OPTIONAL
DRAIN SHOWN
(34500102)

4.0 TYP.

11.5

28.5

41

ALL DIMENSIONS ARE IN INCHES, NOMINAL, & SUBJECT TO CHANGE WITHOUT NOTICE.
ALL DIMENSIONS ON ROTATIONAL MOLDED PARTS ARE SUBJECT TO A \pm 3% TOLERANCE.

DO NOT SCALE		DRAWN BY	BONAR PLASTICS www.bonarplastics.com		REVISION
STATUS: Released		TJK	1005 Atlantic Drive West Chicago, IL 60185 (630)293-0303		A
© SNYDER INDUSTRIES INC., 2017			www.bonarplastics.com		SHEET 1 OF 1
ALL DIMENSIONS, DESIGNS, AND INFORMATION ON THIS PRINT MUST BE CONSIDERED PROPRIETARY TO SNYDER INDUSTRIES, INC. AND MAY NOT BE USED, COPIED, OR DISTRIBUTED WITHOUT WRITTEN PERMISSION OF AN OFFICER (OR HIS AGENT) OF THE FIRM.			PART NO.	ENG. ID.	
			1946400M	D007013	

TITLE: **BIN 5036 ARMOR 2WY-MLD**

1946400M

D007013