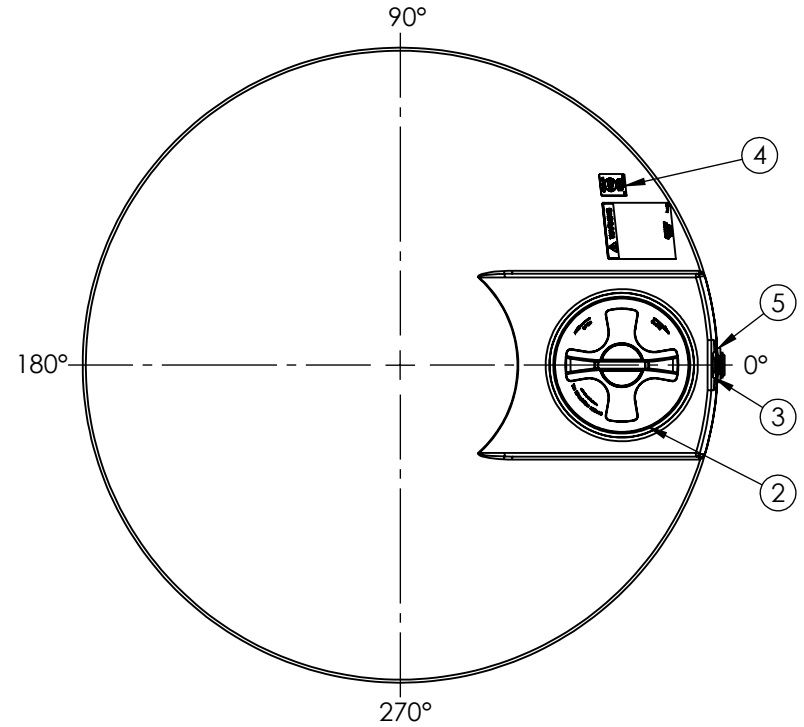
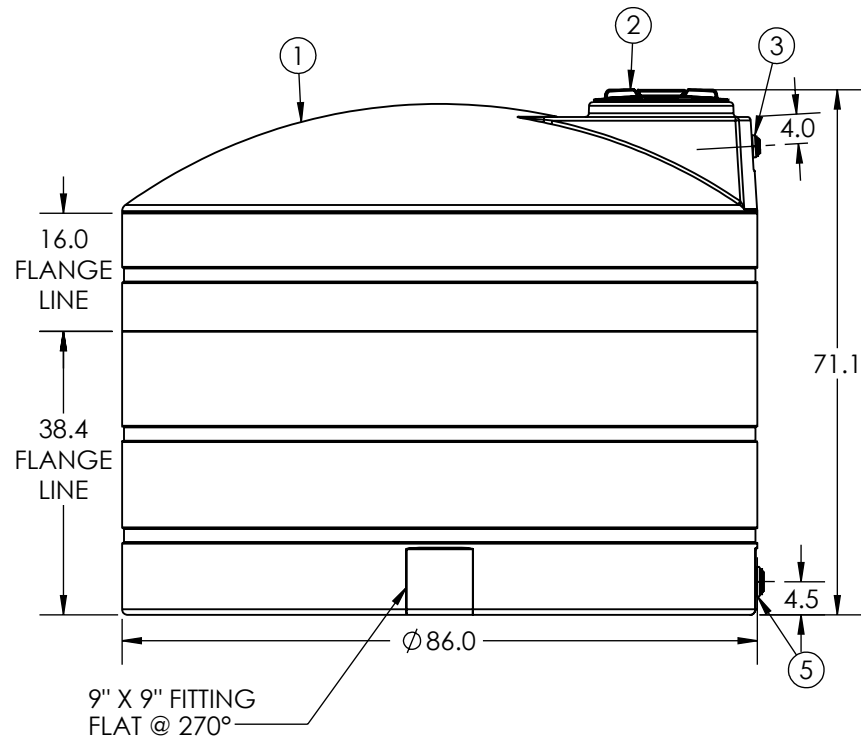


BLACK OR DARK OLIVE GREEN



*ALL EXTERNAL PIPING MUST BE INDEPENDENTLY SUPPORTED.
 *ONLY BASE FITTINGS TO BE LEFT INSTALLED AT TIME OF SHIPMENT PER SII PROCEDURE.
 *TANKS ORDERED WITH FOAM INSULATION WILL HAVE AN INCREASED DIAMETER OF 4-6 INCHES.
 *Consult Snyder's Guidelines for Use and Installation prior to delivery.
 Available on-line at <http://www.snyderindustriestanks.com/Technical>

ALL DIMENSIONS ARE IN INCHES, NOMINAL, & SUBJECT TO CHANGE WITHOUT NOTICE.
 ALL DIMENSIONS ON ROTATIONAL MOLDED PARTS ARE SUBJECT TO A ± 3% TOLERANCE.

5	1	60405	FTG PP 2IN BH EPDM TXT
4	1	99700231	DECAL NSF MARK - WATER TKS
3	1	63931	FTG PP 1-1/2IN ECO-BH EPDM TXT
2	1	34700087	ASM MANWAY 18IN PE W/5IN VENT W/TIE SII
1	1	8120100W__02	ASM TK 1500VDT X 86 WATER NH NOMW
ITEM NO.	QTY.	PART NUMBER	DESCRIPTION
DO NOT SCALE		DRAWN BY	TITLE:
STATUS: Released		SB	ASM TK 1500VDT X 86 WATER
© TANK HOLDING, CORP, 2023		 A BRAND OF TANK HOLDING CORP.	REVISION C
ALL DIMENSIONS, DESIGNS, AND INFORMATION ON THIS PRINT MUST BE CONSIDERED PROPRIETARY TO TANK HOLDING, CORP. AND MAY NOT BE USED, COPIED, OR DISTRIBUTED WITHOUT WRITTEN PERMISSION OF AN OFFICER (OR HIS AGENT) OF THE FIRM.		(402) 467-5221 www.snyder.net	SHEET 1 OF 1
		PART NO. 8120100W__03	ENG. ID. D006436