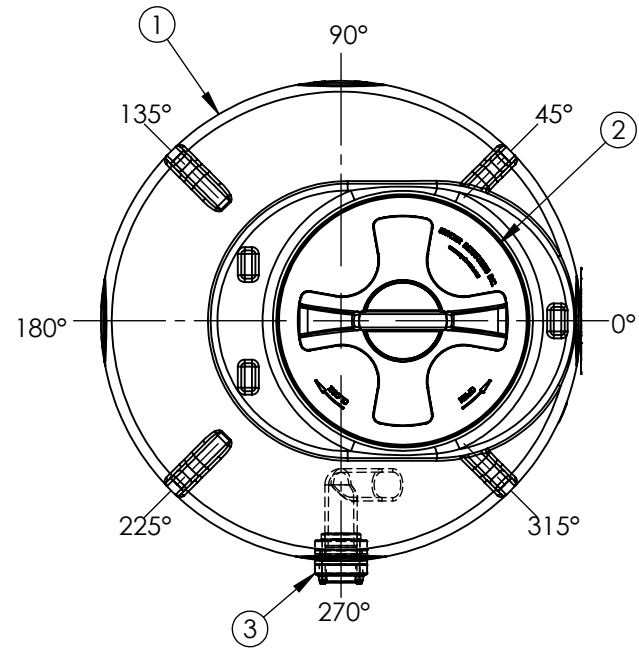


6.5" X 6.5" FITTING FLAT
@ 0°, 90°, 180°, & 270°



***ALL EXTERNAL PIPING MUST BE INDEPENDENTLY SUPPORTED.**
***ONLY BASE FITTINGS TO BE LEFT INSTALLED AT TIME OF SHIPMENT PER SII PROCEDURE.**
ALL DIMENSIONS ARE IN INCHES, NOMINAL, & SUBJECT TO CHANGE WITHOUT NOTICE.
ALL DIMENSIONS ON ROTATIONAL MOLDED PARTS ARE SUBJECT TO A ± 3% TOLERANCE.

3	1	34700842	ASM SIPHON/BLTD PP/EPDM 2IN X SHORT
2	1	34700087	ASM MANWAY 18IN PE W/5IN VENT W/TIE SII
1	1	1630000W94302	TK 300VDT X 35 HD/NAT WATER NOMW NH
ITEM NO.	QTY.	PART NUMBER	DESCRIPTION
DO NOT SCALE		DRAWN BY	REVISION
STATUS: Released		BH	C
© SNYDER INDUSTRIES, LLC, 2020			TITLE: ASM TK 300VDT X 35 HD/NAT WATER
ALL DIMENSIONS, DESIGNS, AND INFORMATION ON THIS PRINT MUST BE CONSIDERED PROPRIETARY TO SNYDER INDUSTRIES, LLC, AND MAY NOT BE USED, COPIED, OR DISTRIBUTED WITHOUT WRITTEN PERMISSION OF AN OFFICER (OR HIS AGENT) OF THE FIRM.			SHEET 1 OF 1
[402] 467-5221 www.snydernet.com		PART NO. 1630000W94303	ENG. ID. D006429

