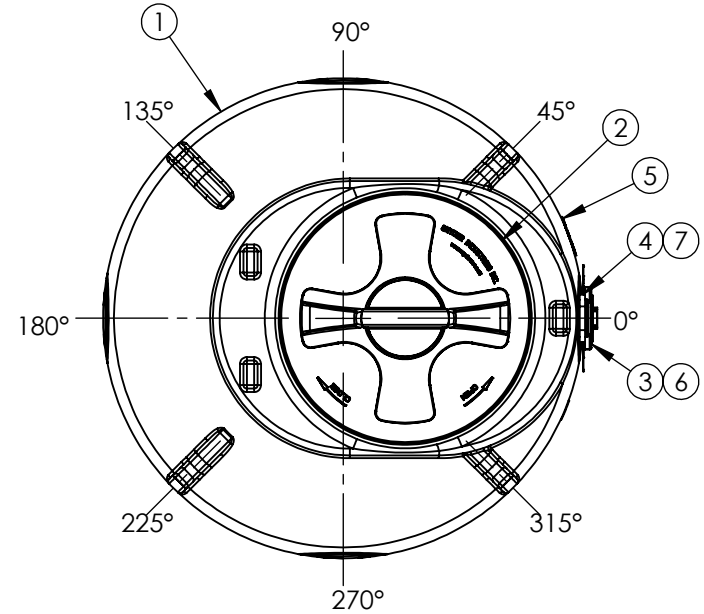
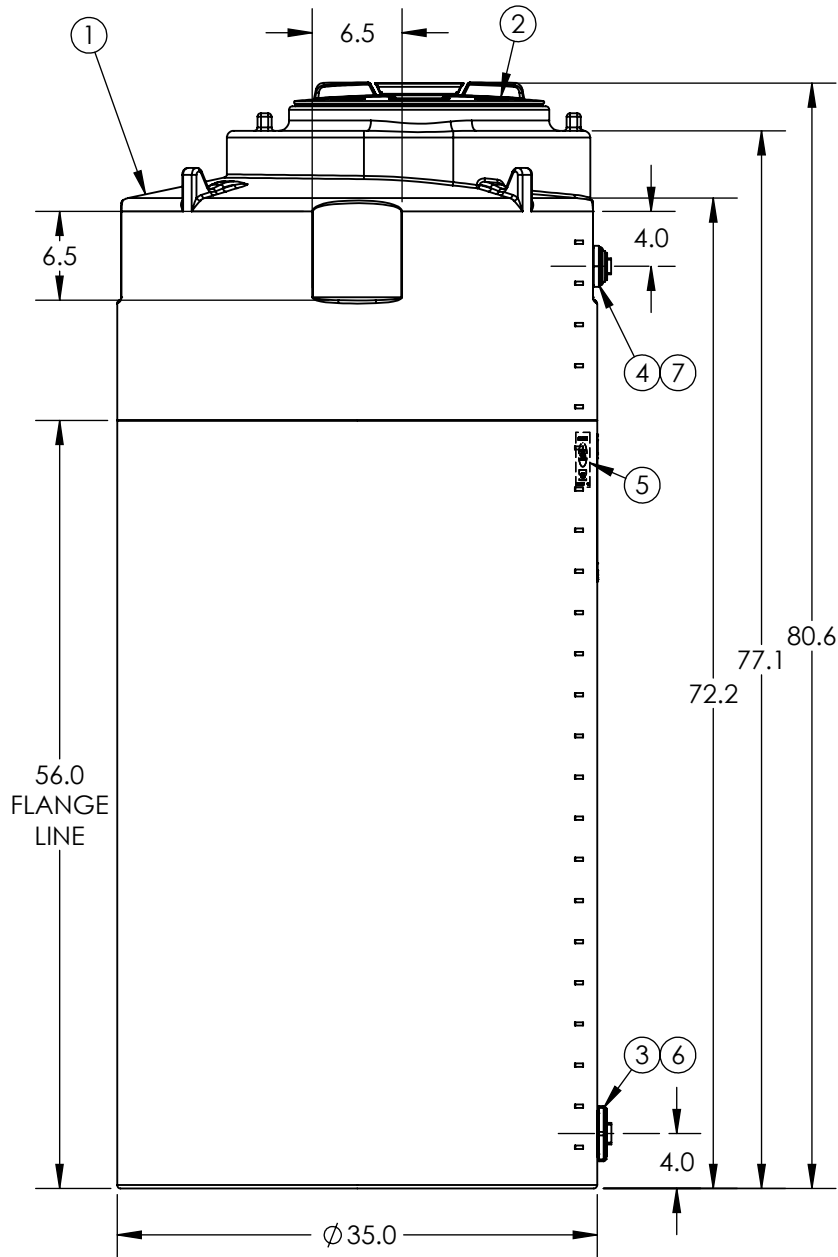


BLACK & GREEN DARK OLIVE



7	1	64149	1-1/2" NPT PLUG
6	1	60021	2" NPT PLUG
5	1	99700231	DECAL NSF MARK - WATER TKS
4	1	63931	FTG PP 1-1/2IN ECO-BH EPDM TXT
3	1	63481	FTG 2IN STD BH PP/EPDM
2	1	34700087	ASM MANWAY 18IN PE W/4IN VENT W/TIE SII
1	1	1630000W__02	TK 300VDT X 35 WATER NOMW NH

ITEM NO.	QTY.	PART NUMBER	DESCRIPTION
DO NOT SCALE		DRAWN BY	REVISION
Released		BH	D
© SNYDER INDUSTRIES, INC., 2018			SHEET
ALL DIMENSIONS, DESIGNS, AND INFORMATION ON THIS PRINT MUST BE CONSIDERED PROPRIETARY TO SNYDER INDUSTRIES, INC. AND MAY NOT BE USED, COPIED, OR DISTRIBUTED WITHOUT WRITTEN PERMISSION OF AN OFFICER (OR HIS AGENT) OF THE FIRM.			1 OF 1
TITLE:		ASM TK 300VDT X 35 WATER	
PART NO.		ENG. ID.	
1630000W__03		D006427	
www.snydernet.com		(402) 467-5221	

*ALL EXTERNAL PIPING MUST BE INDEPENDENTLY SUPPORTED.
 *ONLY BASE FITTINGS TO BE LEFT INSTALLED AT TIME OF SHIPMENT PER SII PROCEDURE.
 ALL DIMENSIONS ARE IN INCHES, NOMINAL, & SUBJECT TO CHANGE WITHOUT NOTICE.
 ALL DIMENSIONS ON ROTATIONAL MOLDED PARTS ARE SUBJECT TO A ± 3% TOLERANCE.