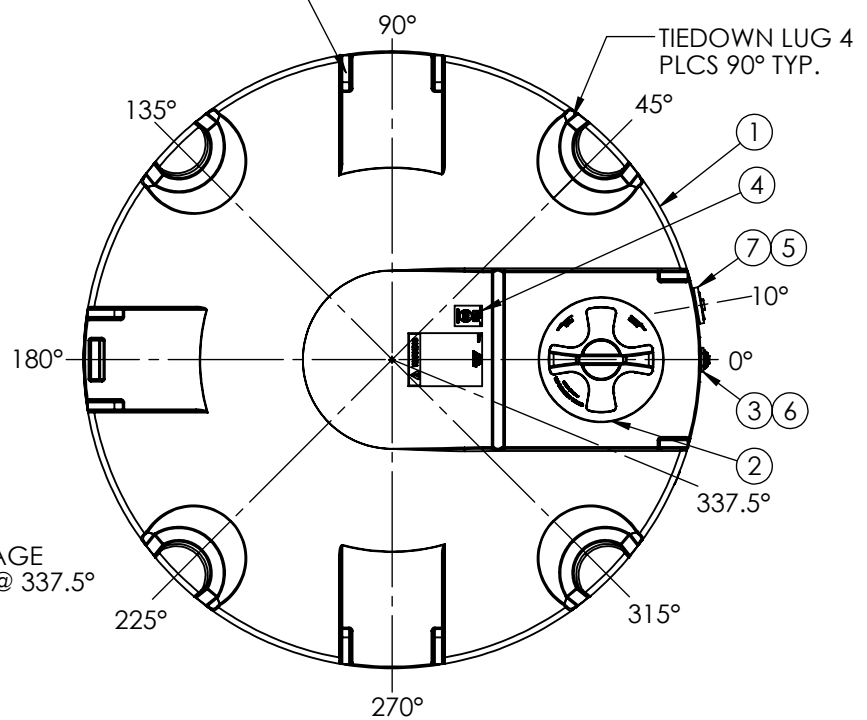


LIFTING LUG 8 PLCS 90° TYP.



7	1	63683	FTG 2IN HD BH PP/EPDM
6	1	64149	1-1/2" NPT PLUG
5	1	60021	2" NPT PLUG
4	1	99700231	DECAL NSF MARK - WATER TKS
3	1	63931	FTG PP 1-1/2IN ECO-BH EPDM TXT
2	1	34700087	ASM MANWAY 18IN PE W/5IN VENT W/TIE SII
1	1	5130100W__02	ASM TK 3000VDT X 90 WATER NH NOMW

ITEM NO.	QTY.	PART NUMBER	DESCRIPTION
DO NOT SCALE		DRAWN BY	TITLE:
STATUS: Released		SB	<b>SNYDER INDUSTRIES, INC.</b> <b>ASM TK 3000VDT X 90 WATER</b>
© SNYDER INDUSTRIES INC., 2017		(402) 467-5221 www.snydernet.com	REVISION <b>B</b> SHEET 1 OF 1
ALL DIMENSIONS, DESIGNS, AND INFORMATION ON THIS PRINT MUST BE CONSIDERED PROPRIETARY TO SNYDER INDUSTRIES, INC. AND MAY NOT BE USED, COPIED, OR DISTRIBUTED WITHOUT WRITTEN PERMISSION OF AN OFFICER (OR HIS AGENT) OF THE FIRM.		PART NO. <b>5130100W__03</b>	ENG. ID. <b>D006411</b>

**\*ALL EXTERNAL PIPING MUST BE INDEPENDENTLY SUPPORTED.**  
**\*ONLY BASE FITTINGS TO BE LEFT INSTALLED AT TIME OF SHIPMENT PER SII PROCEDURE.**  
**ALL DIMENSIONS ARE IN INCHES, NOMINAL, & SUBJECT TO CHANGE WITHOUT NOTICE.**  
**ALL DIMENSIONS ON ROTATIONAL MOLDED PARTS ARE SUBJECT TO A ± 3% TOLERANCE.**