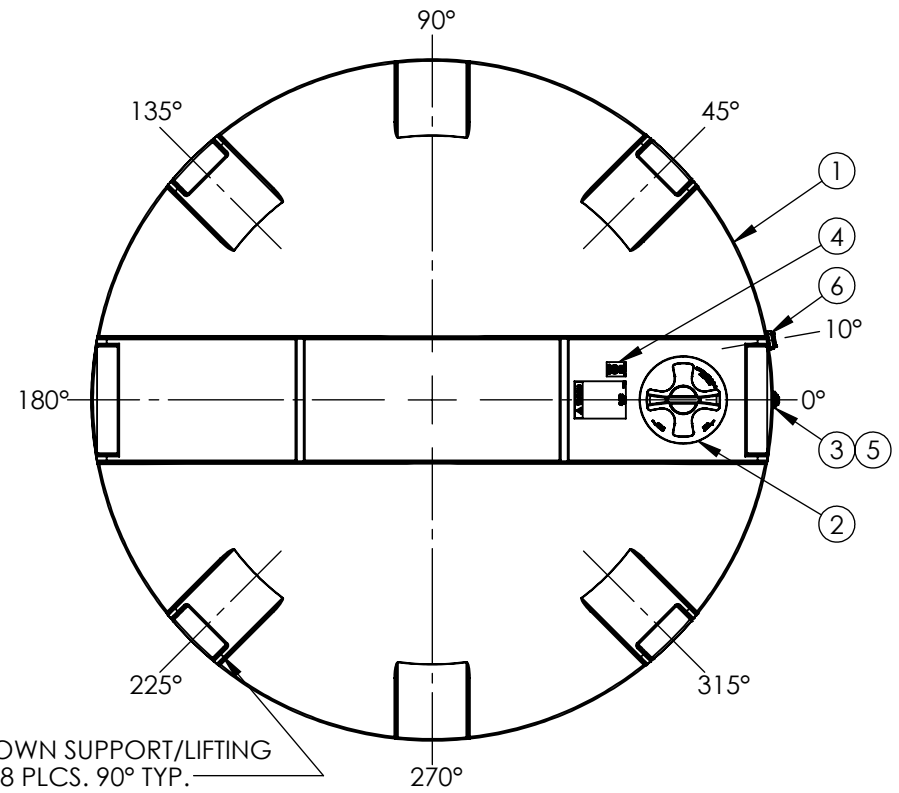
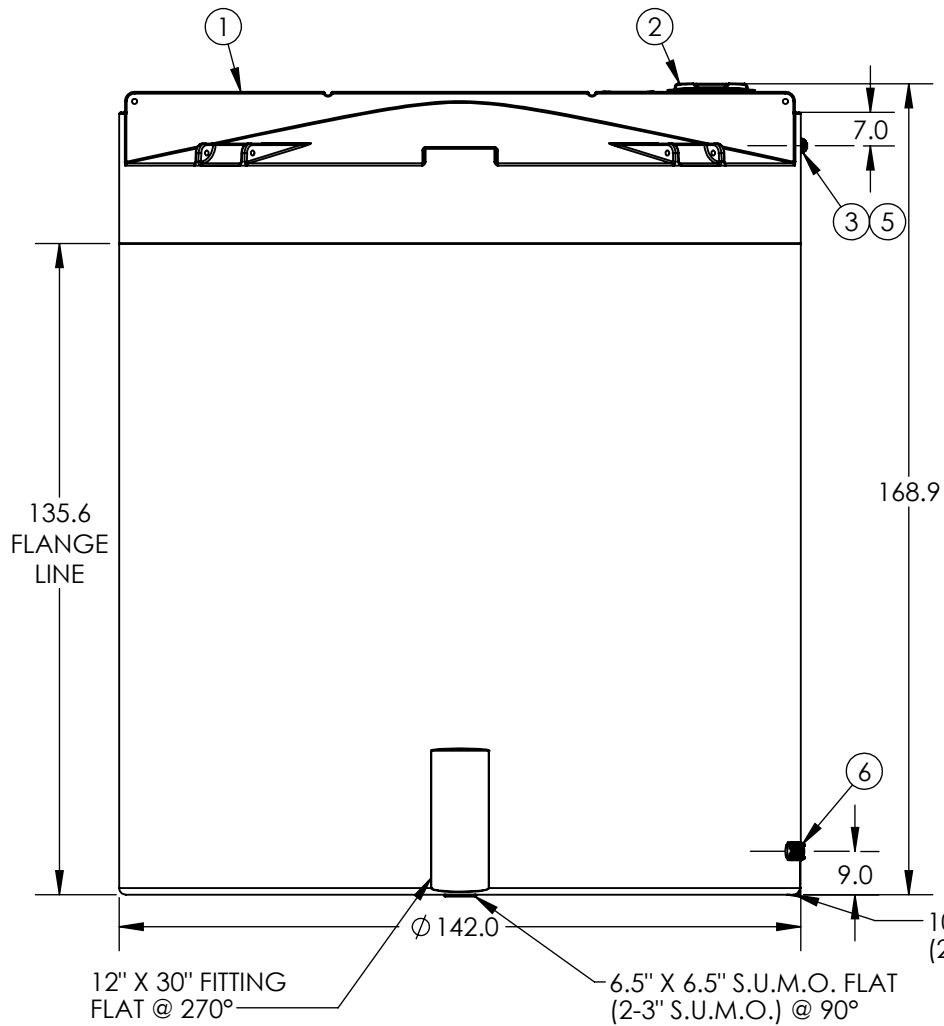


BLACK OR DARK OLIVE GREEN



TIEDOWN SUPPORT/LIFTING LUG 8 PLCS. 90° TYP.

10" X 10" S.U.M.O. FLAT (2-6" S.U.M.O.) @ 0°

6	1	34100369	FTG PP 2IN BLTD EPDM BJO#BF235 LONG
5	1	64149	1-1/2" NPT PLUG
4	1	99700231	DECAL NSF MARK - WATER TKS
3	1	63931	FTG PP 1-1/2IN ECO-BH EPDM TXT
2	1	34700087	ASM MANWAY 18IN PE W/4IN VENT W/TIE SII
1	1	5330000W__02	ASM TK 10500VDT X 142 NH NOMW

ITEM NO.	QTY.	PART NUMBER	DESCRIPTION	REVISION
DO NOT SCALE		DRAWN BY	TITLE:	C
STATUS: Released		SB	ASM TK 10500VDT X 142 WATER	SHEET 1 OF 1
© SNYDER INDUSTRIES, INC., 2018			PART NO. 5330000W__03	ENG. ID. D006402
ALL DIMENSIONS, DESIGNS, AND INFORMATION ON THIS PRINT MUST BE CONSIDERED PROPRIETARY TO SNYDER INDUSTRIES, INC. AND MAY NOT BE USED, COPIED, OR DISTRIBUTED WITHOUT WRITTEN PERMISSION OF AN OFFICER (OR HIS AGENT) OF THE FIRM.			(402) 467-5221 www.snydernet.com	

\*ALL EXTERNAL PIPING MUST BE INDEPENDENTLY SUPPORTED.  
 \*ONLY BASE FITTINGS TO BE LEFT INSTALLED AT TIME OF SHIPMENT PER SII PROCEDURE.  
 ALL DIMENSIONS ARE IN INCHES, NOMINAL, & SUBJECT TO CHANGE WITHOUT NOTICE.  
 ALL DIMENSIONS ON ROTATIONAL MOLDED PARTS ARE SUBJECT TO A ± 3% TOLERANCE.