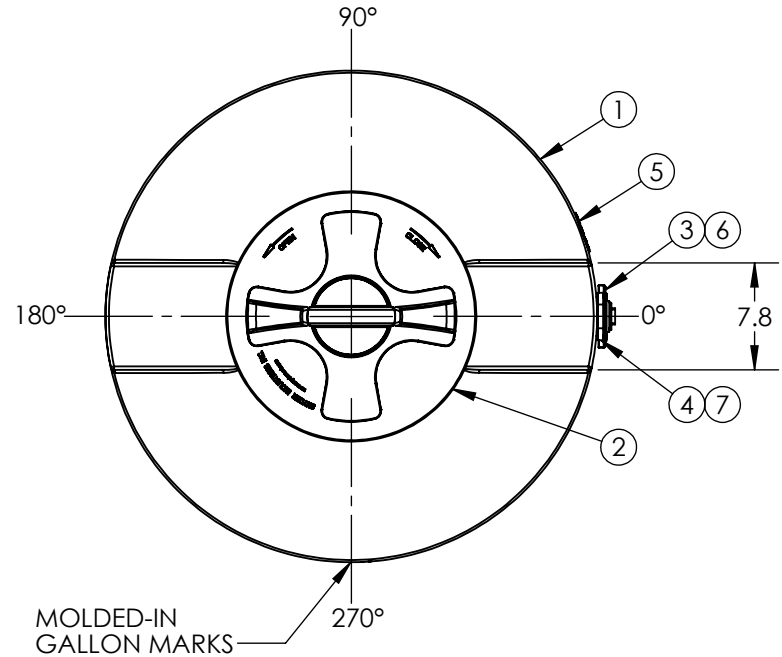
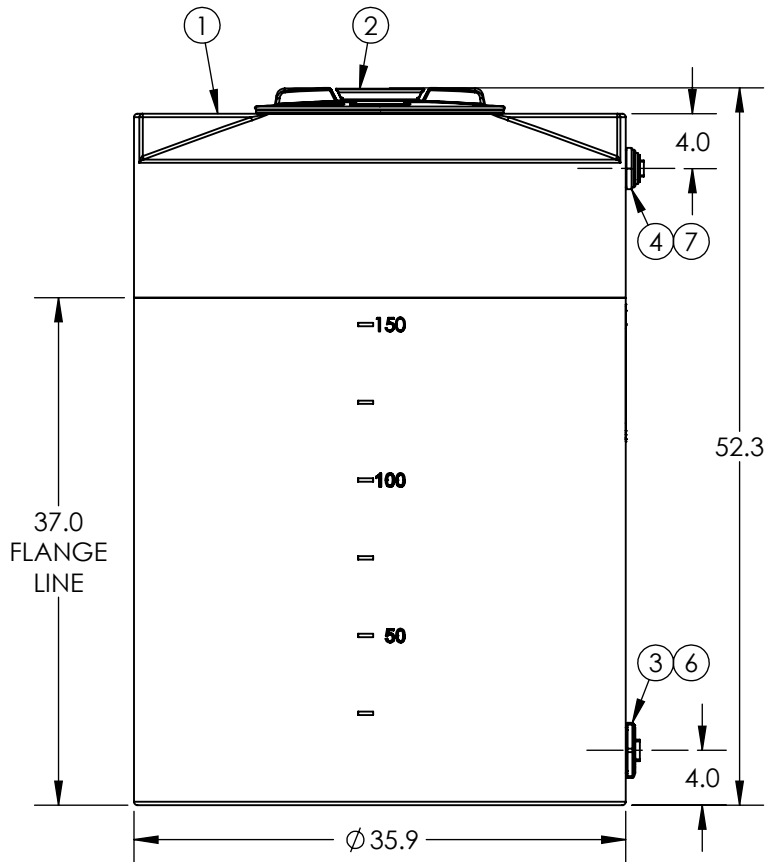


**BLACK OR DARK OLIVE GREEN**



ITEM NO.	QTY.	PART NUMBER	DESCRIPTION
7	1	64149	1-1/2" NPT PLUG
6	1	60021	2" NPT PLUG
5	1	99700231	DECAL NSF MARK - WATER TKS
4	1	63931	FTG PP 1-1/2IN ECO-BH EPDM TXT
3	1	63481	FTG 2IN STD BH PP/EPDM
2	1	34700087	ASM MANWAY 18IN PE W/4IN VENT W/TIE SII
1	1	1008000W__02	ASM TK 200VERT X 36 WATER NH NOMW

DO NOT SCALE		DRAWN BY		TITLE:	<b>ASM TK 200VERT X 36 WATER</b>	REVISION	
STATUS:	<b>Released</b>	IGG		1 OF 1			
© SNYDER INDUSTRIES INC., 2017				PART NO.	1008000W__03	ENG. ID.	D006395
<small>ALL DIMENSIONS, DESIGNS, AND INFORMATION ON THIS PRINT MUST BE CONSIDERED PROPRIETARY TO SNYDER INDUSTRIES, INC. AND MAY NOT BE USED, COPIED, OR DISTRIBUTED WITHOUT WRITTEN PERMISSION OF AN OFFICER (OR HIS AGENT) OF THE FIRM.</small>				(402) 467-5221 www.snyderinet.com			

**\*ALL EXTERNAL PIPING MUST BE INDEPENDENTLY SUPPORTED.**  
**\*ONLY BASE FITTINGS TO BE LEFT INSTALLED AT TIME OF SHIPMENT PER SII PROCEDURE.**  
**\*Consult Snyder's Guidelines for Use and Installation prior to delivery.**  
 Available on-line at <http://www.snyderindustriestanks.com/Technical>  
**ALL DIMENSIONS ARE IN INCHES, NOMINAL, & SUBJECT TO CHANGE WITHOUT NOTICE.**  
**ALL DIMENSIONS ON ROTATIONAL MOLDED PARTS ARE SUBJECT TO A ± 3% TOLERANCE.**