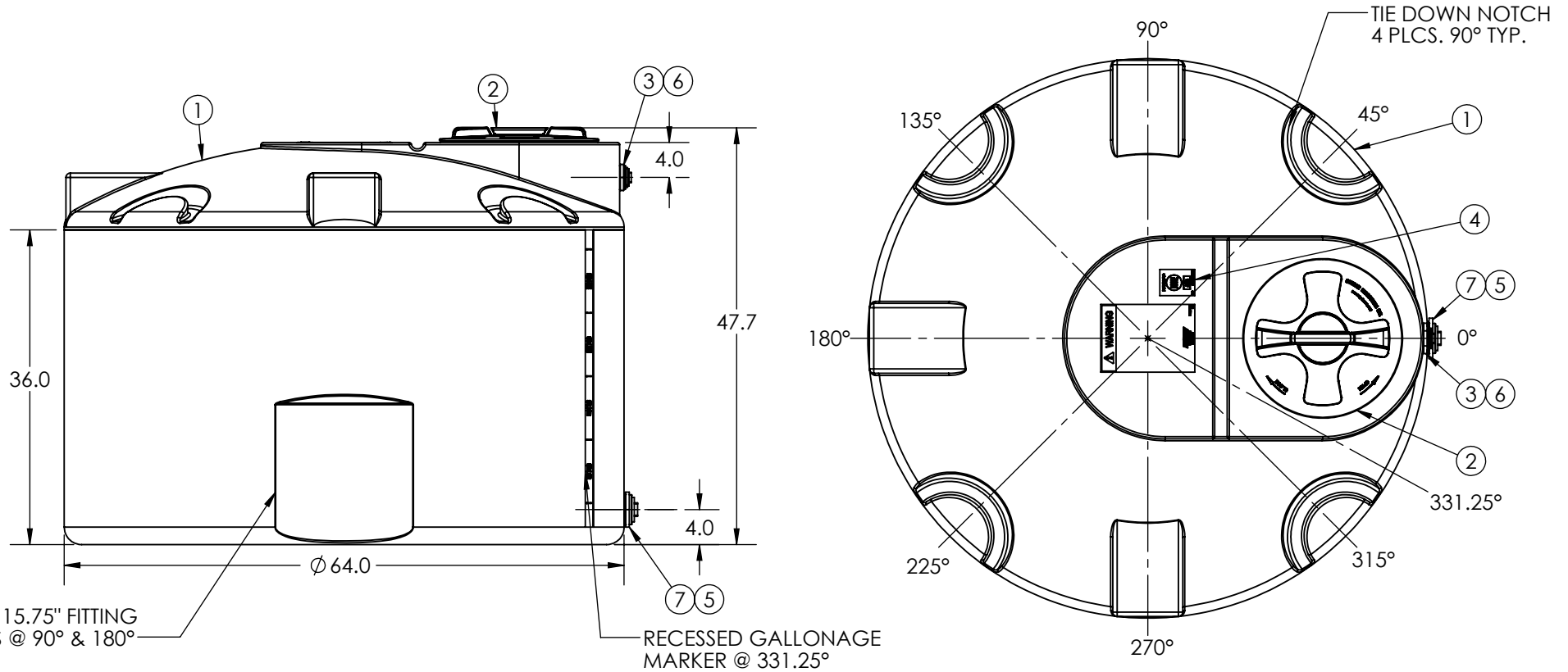



BLACK OR DARK OLIVE GREEN



16" X 15.75" FITTING FLATS @ 90° & 180°

RECESSED GALLONAGE MARKER @ 331.25°

| 7   | 1    | 60405        | FTG PP 2IN BH EPDM TXT                  |
|---|------|--------------|---|
| 6   | 1    | 64149        | 1-1/2" NPT PLUG                         |
| 5   | 1    | 60021        | 2" NPT PLUG                             |
| 4   | 1    | 99700231     | DECAL NSF MARK - WATER TKS              |
| 3   | 1    | 63931        | FTG PP 1-1/2IN ECO-BH EPDM TXT          |
| 2   | 1    | 34700087     | ASM MANWAY 18IN PE W/4IN VENT W/TIE SII |
| 1   | 1    | 1820000W__02 | ASM TK 550VDT X 64 WATER NH NOMW        |
| ITEM NO.  | QTY. | PART NUMBER  | DESCRIPTION                             |
| DO NOT SCALE  |      | DRAWN BY     | TITLE:                                  |
| Released  |      | SB           | ASM TK 550VDT X 64 WATER                |
| © SNYDER INDUSTRIES, LLC, 2020  |      |              | REVISION                                |
| ALL DIMENSIONS, DESIGNS, AND INFORMATION ON THIS PRINT MUST BE CONSIDERED PROPRIETARY TO SNYDER INDUSTRIES, LLC, AND MAY NOT BE USED, COPIED, OR DISTRIBUTED WITHOUT WRITTEN PERMISSION OF AN OFFICER (OR HIS AGENT) OF THE FIRM. |      |              | B                                       |
|    |      |              | SHEET                                   |
| (402) 467-5221<br>www.snyderinet.com  |      |              | 1 OF 1                                  |
| PART NO.  |      | ENG. ID.     |   |
| 1820000W__03  |      | D006392      |   |

\*ALL EXTERNAL PIPING MUST BE INDEPENDENTLY SUPPORTED.  
 \*ONLY BASE FITTINGS TO BE LEFT INSTALLED AT TIME OF SHIPMENT PER SII PROCEDURE.  
 ALL DIMENSIONS ARE IN INCHES, NOMINAL, & SUBJECT TO CHANGE WITHOUT NOTICE.  
 ALL DIMENSIONS ON ROTATIONAL MOLDED PARTS ARE SUBJECT TO A ± 3% TOLERANCE.