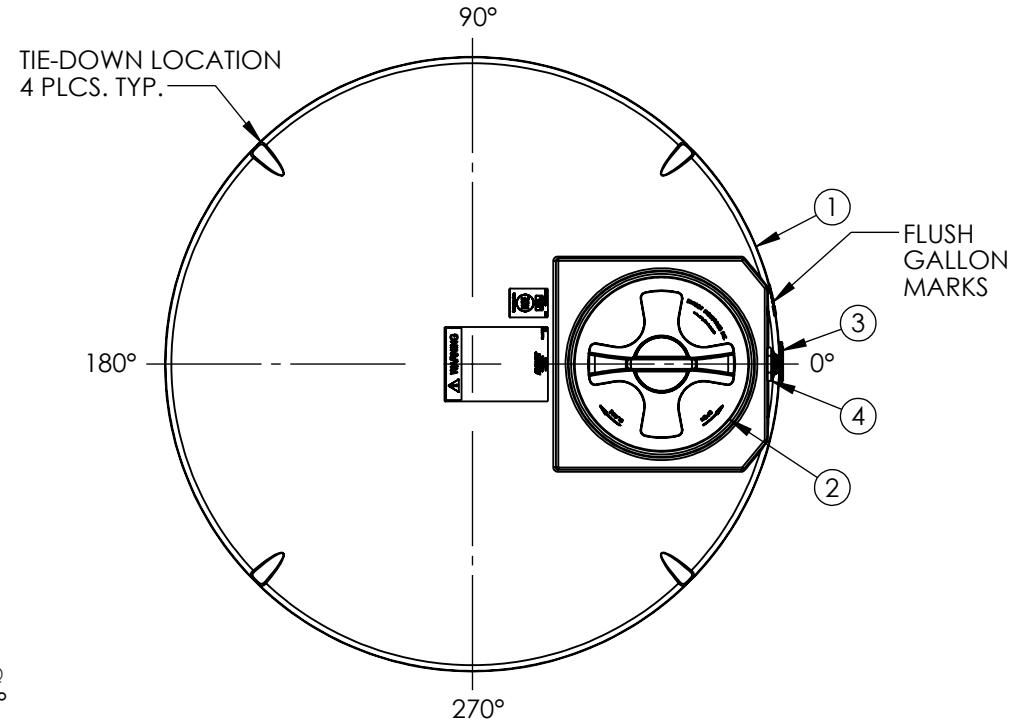
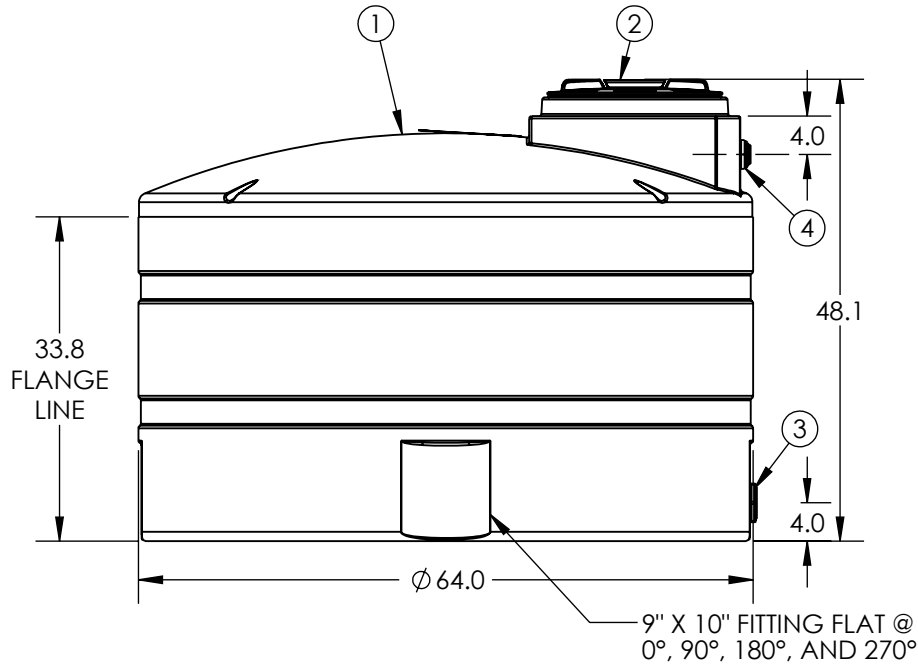



**BLACK OR DARK OLIVE GREEN**

PART NUMBER	DESCRIPTION
8060000W94203	ASM TK 550VDT X 64 HD/BLK WATER
8060000W99803	ASM TK 550VDT X 64 HD/GDO WATER



5	1	99700231	DECAL NSF MARK - WATER TKS
4	1	63931	FTG PP 1-1/2IN ECO-BH EPDM TXT
3	1	63481	FTG 2IN STD BH PP/EPDM
2	1	34700087	ASM MANWAY 18IN PE W/5IN VENT W/TIE SII
1	1	8060000W__02	ASM TK 550VDT X 64 WATER NH NOMW
ITEM NO.	QTY.	PART NUMBER	DESCRIPTION
DO NOT SCALE		DRAWN BY	 <b>SNYDER INDUSTRIES</b> A BRAND OF TANK HOLDING CORP.
Released		IGG	
© TANK HOLDING, CORP, 2023			TITLE: <b>ASM TK 550VDT X 64 WATER</b> REVISION: <b>D</b>
ALL DIMENSIONS, DESIGNS, AND INFORMATION ON THIS PRINT MUST BE CONSIDERED PROPRIETARY TO TANK HOLDING, CORP. AND MAY NOT BE USED, COPIED, OR DISTRIBUTED WITHOUT WRITTEN PERMISSION OF AN OFFICER (OR HIS AGENT) OF THE FIRM.			SHEET: 1 OF 1
		(402) 467-5221 <a href="http://www.snydermet.com">www.snydermet.com</a>	PART NO.: <b>8060000W__03</b> ENG. ID.: <b>D006293</b>

**\*ALL EXTERNAL PIPING MUST BE INDEPENDENTLY SUPPORTED.**  
**\*ONLY BASE FITTINGS TO BE LEFT INSTALLED AT TIME OF SHIPMENT PER SII PROCEDURE.**  
**ALL DIMENSIONS ARE IN INCHES, NOMINAL, & SUBJECT TO CHANGE WITHOUT NOTICE.**  
**ALL DIMENSIONS ON ROTATIONAL MOLDED PARTS ARE SUBJECT TO A ± 3% TOLERANCE.**