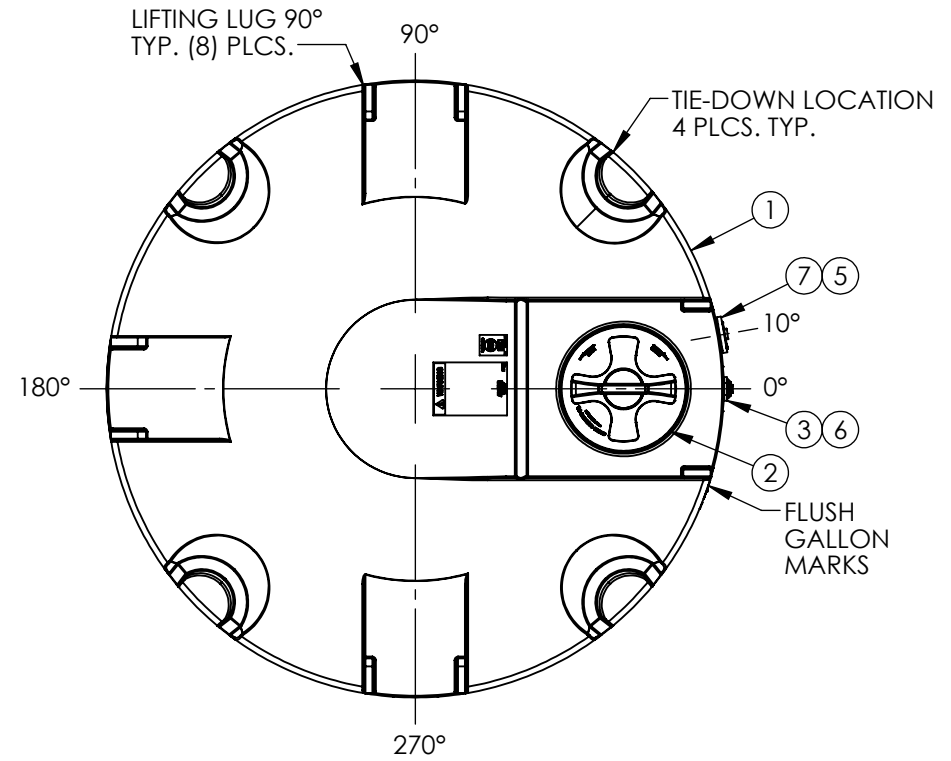
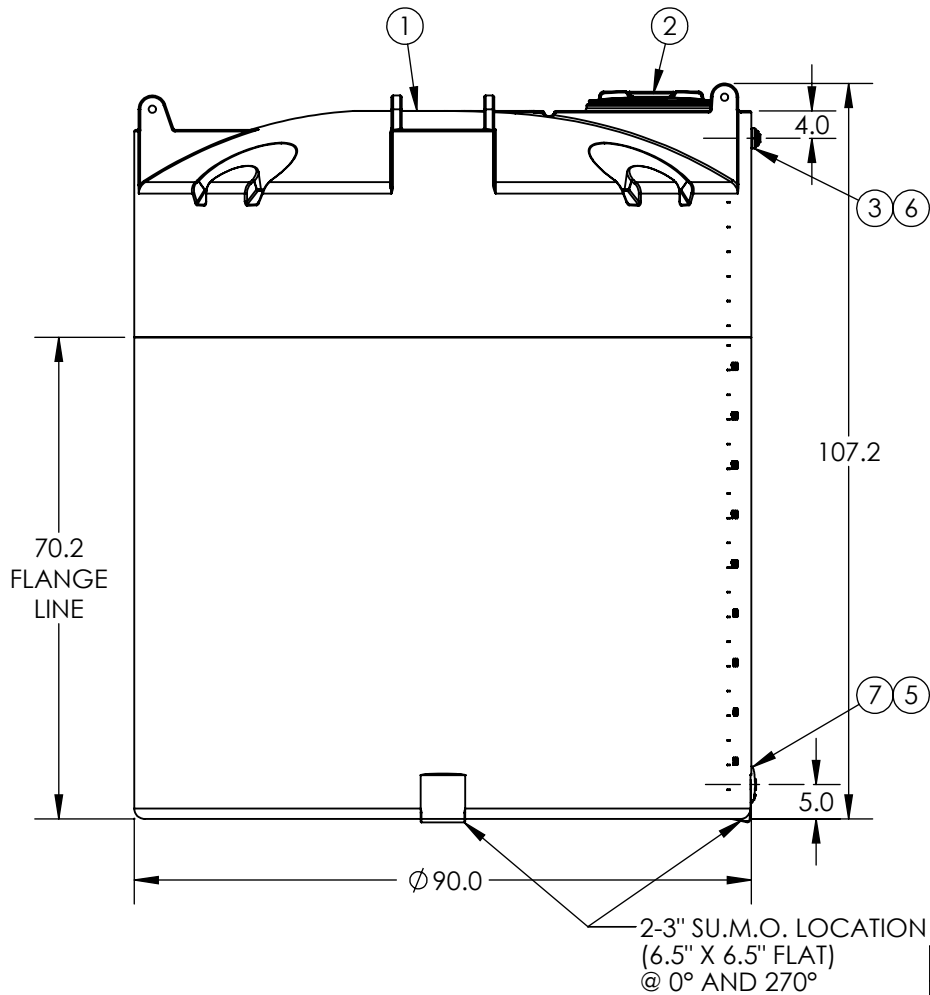


BLACK OR DARK OLIVE GREEN



***ALL EXTERNAL PIPING MUST BE INDEPENDENTLY SUPPORTED.
 *ONLY BASE FITTINGS TO BE LEFT INSTALLED AT TIME OF SHIPMENT PER SII PROCEDURE.
 ALL DIMENSIONS ARE IN INCHES, NOMINAL, & SUBJECT TO CHANGE WITHOUT NOTICE.
 ALL DIMENSIONS ON ROTATIONAL MOLDED PARTS ARE SUBJECT TO A ± 3% TOLERANCE.**

| ITEM NO. | QTY. | PART NUMBER | DESCRIPTION |
|----------|------|--------------|---|
| 7 | 1 | 63683 | FTG 2IN HD BH PP/EPDM |
| 6 | 1 | 64149 | 1-1/2" NPT PLUG |
| 5 | 1 | 60021 | 2" NPT PLUG |
| 4 | 1 | 99700231 | DECAL NSF MARK - WATER TKS |
| 3 | 1 | 63931 | FTG PP 1-1/2IN ECO-BH EPDM TXT |
| 2 | 1 | 34700087 | ASM MANWAY 18IN PE W/4IN VENT W/TIE SII |
| 1 | 1 | 8140000W__02 | ASM TK 2500VDT X 90 WATER NH NOMW |

| | | | | | | | |
|---|--|----------|--|-------------------------------------|--|----------|--|
| DO NOT SCALE | | DRAWN BY | | TITLE: | | REVISION | |
| Released | | IGG | | | | B | |
| © SNYDER INDUSTRIES INC., 2017 | | | | ASM TK 2500VDT X 90 WATER | | SHEET | |
| ALL DIMENSIONS, DESIGNS, AND INFORMATION ON THIS PRINT MUST BE CONSIDERED PROPRIETARY TO SNYDER INDUSTRIES, INC. AND MAY NOT BE USED, COPIED, OR DISTRIBUTED WITHOUT WRITTEN PERMISSION OF AN OFFICER (OR HIS AGENT) OF THE FIRM. | | | | (402) 467-5221 www.snydernet.com | | 1 OF 1 | |
| PART NO. | | ENG. ID. | | PART NO. | | ENG. ID. | |
| 8140000W__03 | | D006290 | | 8140000W__03 | | D006290 | |