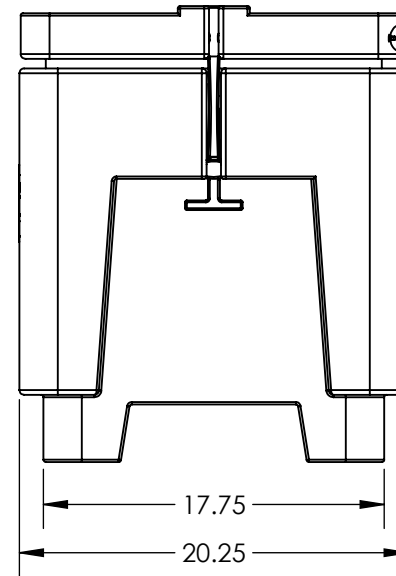
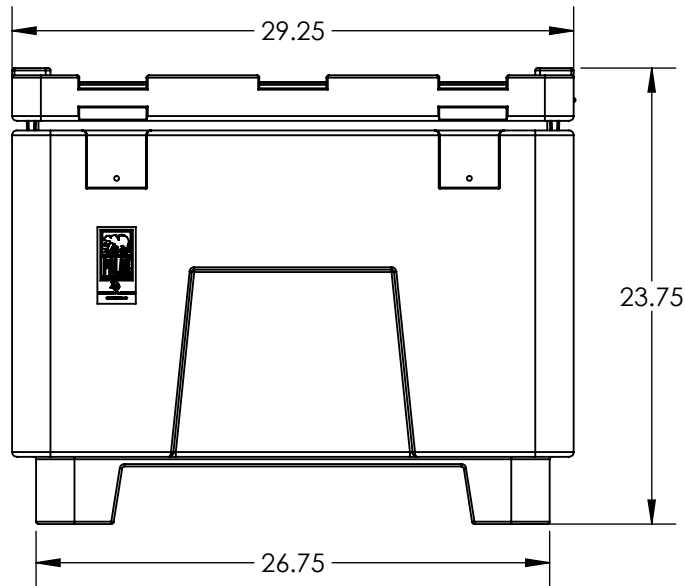
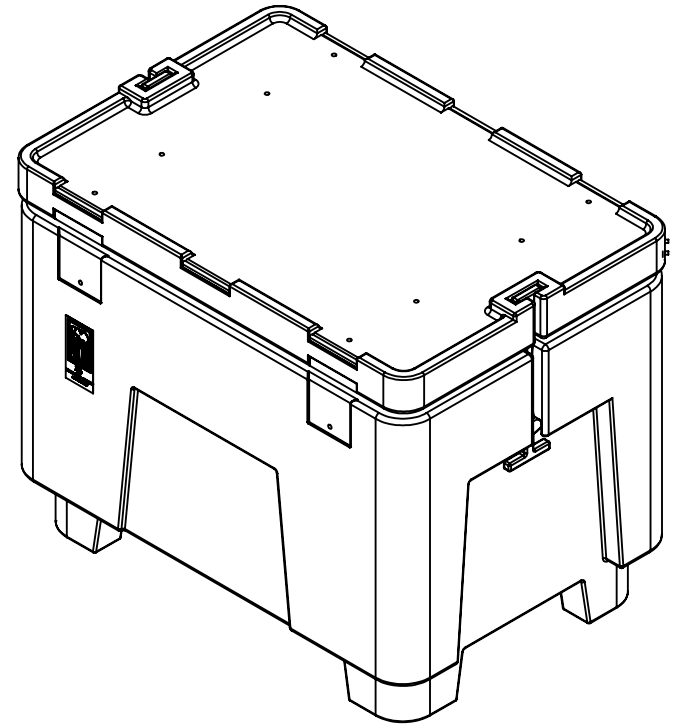


INTERNAL DIMENSIONS:

L= 21.5"

W= 12.5"

H= 15.0"



ALL DIMENSIONS ARE IN INCHES, NOMINAL, & SUBJECT TO CHANGE WITHOUT NOTICE.
 ALL DIMENSIONS ON ROTATIONAL MOLDED PARTS ARE SUBJECT TO A \pm 3% TOLERANCE.

DO NOT SCALE		DRAWN BY	BONAR PLASTICS www.bonarplastics.com	TITLE:	ASM PB02 POLAR	REVISION	A
STATUS:	Released	TS	1005 Atlantic Drive West Chicago, IL 60185 (630)293-0303	PART NO.	193000M	ENG. ID.	D005806
© SNYDER INDUSTRIES INC., 2017			www.bonarplastics.com			SHEET 1 OF 1	
<small>ALL DIMENSIONS, DESIGNS, AND INFORMATION ON THIS PRINT MUST BE CONSIDERED PROPRIETARY TO SNYDER INDUSTRIES, INC. AND MAY NOT BE USED, COPIED, OR DISTRIBUTED WITHOUT WRITTEN PERMISSION OF AN OFFICER (OR HIS AGENT) OF THE FIRM.</small>							