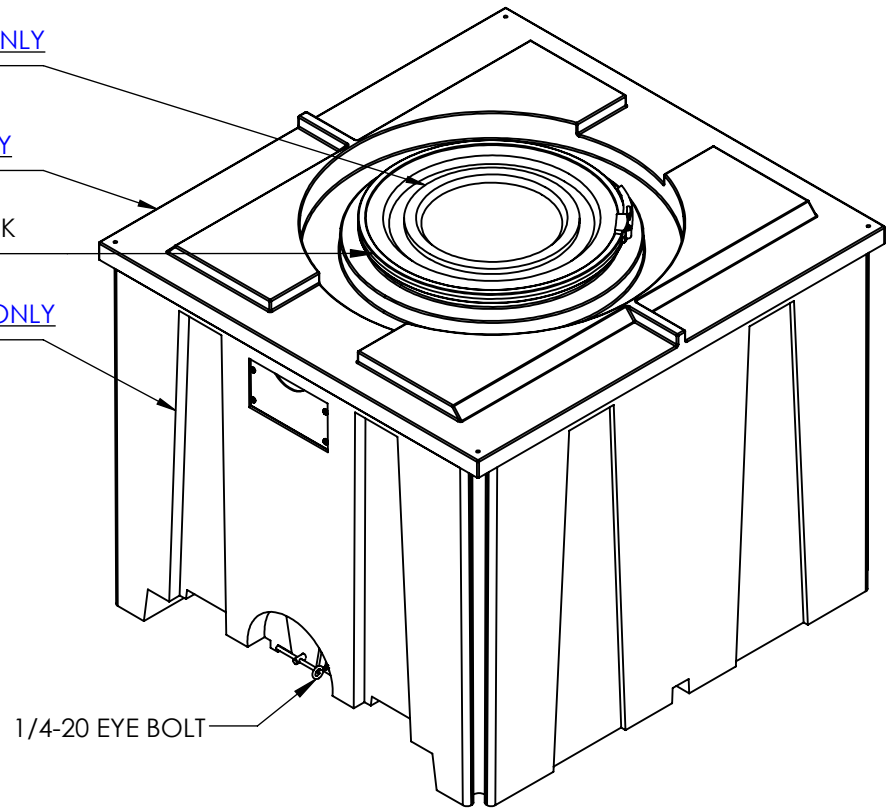


DUST COVER ONLY
DRAWING

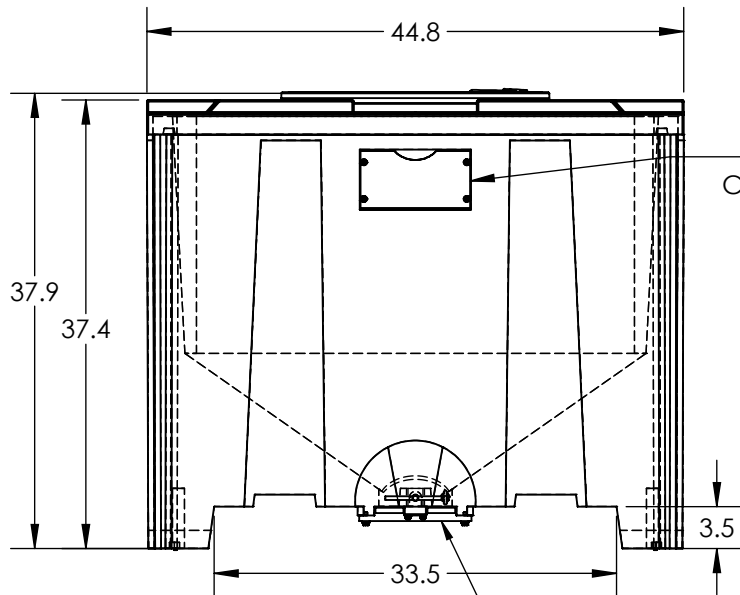
COVER ONLY
DRAWING

PLASTIC LOCK
RING

HOPPER BODY ONLY
DRAWING



1/4-20 EYE BOLT



OPTIONAL
CARDHOLDER

SLIDEGATE ONLY
DRAWING

7	1	34702532	ASM CARD HOLDER MPH38
6	1	35000289	BOLT 1/4-20 X 1-1/4IN EYE SS
5	1	34702400	ASM MPH38 SLIDE GATE DELRIN
4	1	36300019	LOCK RING 40GAL PLASTIC
3	1	6393600M__01	DUST COVER 40GAL
2	1	6393500M__01	COVER MPH38
1	1	6376900M__01	HPR BODY MPH38

ITEM NO.	QTY.	PART NUMBER	DESCRIPTION
DO NOT SCALE		DRAWN BY	BONAR PLASTICS
STATUS: Released		KB	www.bonarplastics.com
© SNYDER INDUSTRIES INC., 2015		1005 Atlantic Drive West Chicago, IL 60185 (630)293-0303	
ALL DIMENSIONS, DESIGNS, AND INFORMATION ON THIS PRINT MUST BE CONSIDERED PROPRIETARY TO SNYDER INDUSTRIES, INC. AND MAY NOT BE USED, COPIED, OR DISTRIBUTED WITHOUT WRITTEN PERMISSION OF AN OFFICER (OR HIS AGENT) OF THE FIRM.		www.bonarplastics.com	
TITLE: ASM MPH38 OVAL-SLGT SS-PULL ROD			REVISION A
PART NO. 6376900M			SHEET 1 OF 1
ENG. ID. D005132			

ALL DIMENSIONS ARE IN INCHES, NOMINAL, & SUBJECT TO CHANGE WITHOUT NOTICE.
ALL DIMENSIONS ON ROTATIONAL MOLDED PARTS ARE SUBJECT TO A ± 3% TOLERANCE.