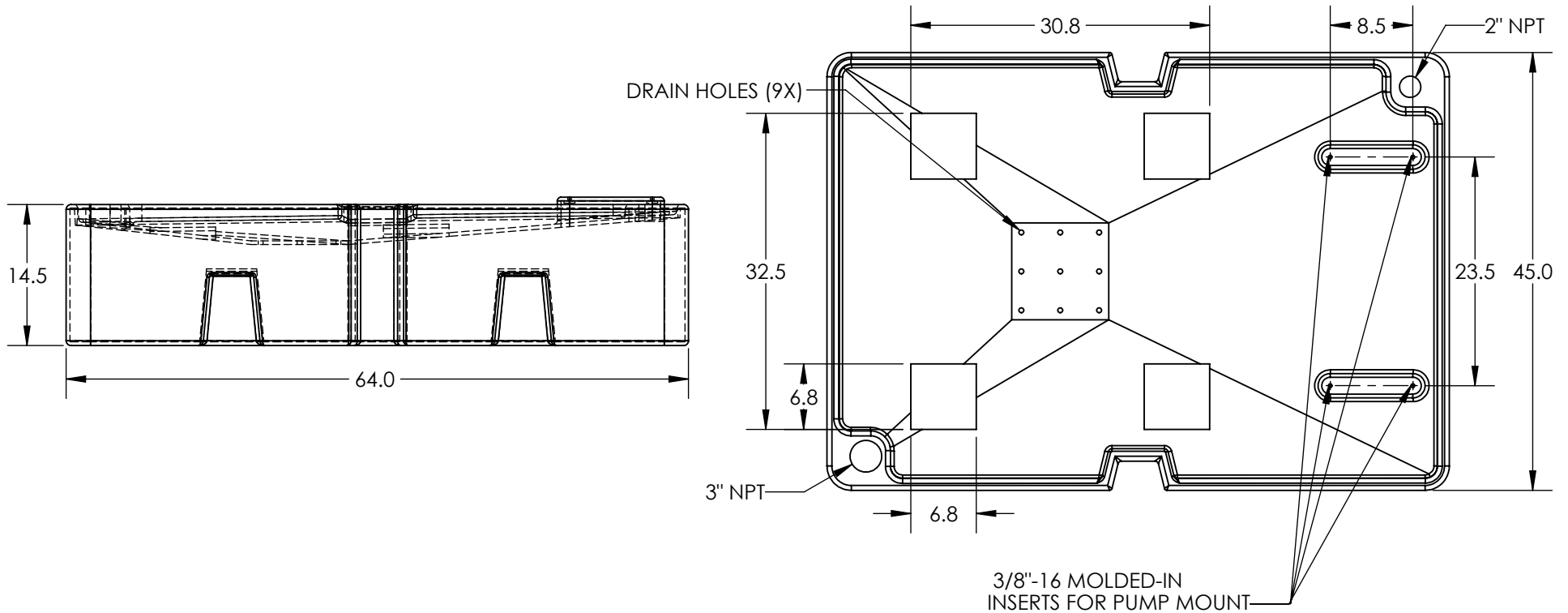


APPROX. BRIMFUL CONTAINMENT CAPACITY: 167.1 GALONS



ALL DIMENSIONS ARE IN INCHES, NOMINAL, & SUBJECT TO CHANGE WITHOUT NOTICE.  
 ALL DIMENSIONS ON ROTATIONAL MOLDED PARTS ARE SUBJECT TO A ± 3% TOLERANCE.

DO NOT SCALE		DRAWN BY		TITLE:	<b>ASM 125HL/STAND CONTAINMENT</b>	REVISION
STATUS: <b>Released</b>		IGG		ENG. ID.		
© SNYDER INDUSTRIES INC., 2015			(402) 467-5221 www.snydernet.com	PART NO.	<b>1003800N</b>	SHEET 1 OF 1
ALL DIMENSIONS, DESIGNS, AND INFORMATION ON THIS PRINT MUST BE CONSIDERED PROPRIETARY TO SNYDER INDUSTRIES, INC. AND MAY NOT BE USED, COPIED, OR DISTRIBUTED WITHOUT WRITTEN PERMISSION OF AN OFFICER (OR HIS AGENT) OF THE FIRM.				ENG. ID.		<b>D004052</b>