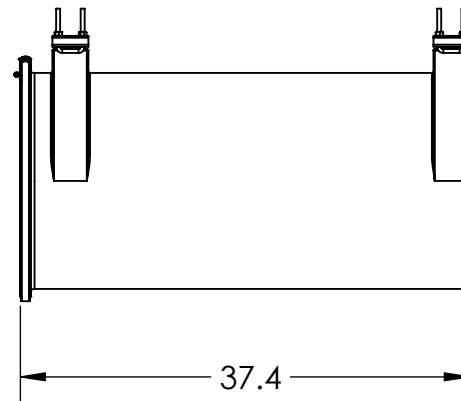
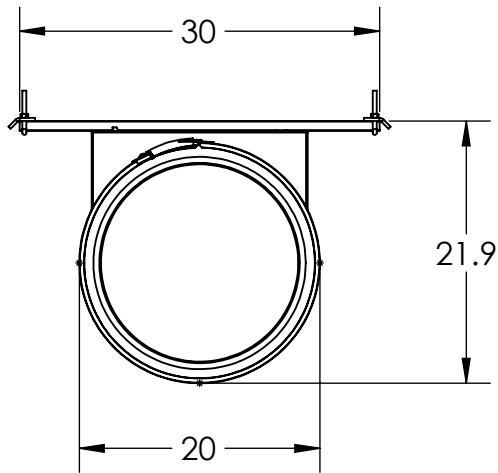
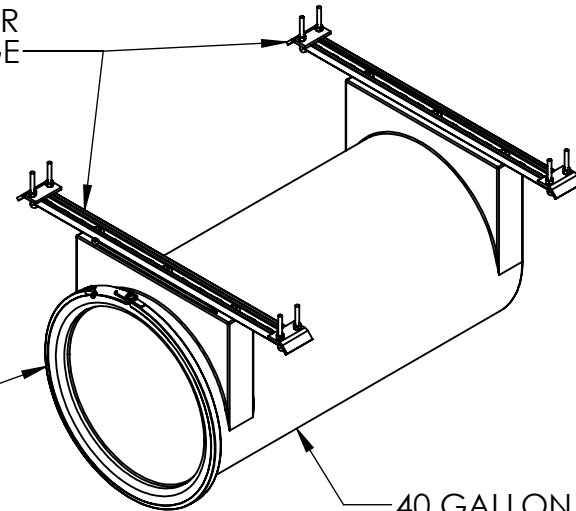


GALVANIZED STEEL HARDWARE
USED TO MOUNT CONTAINER
TO TRAILER UNDERCARRIAGE

GALVANIZED STEEL CLAMP RING
TO SECURE LID TO CONTAINER

40 GALLON CAPACITY
HDPE CONTAINER



ALL DIMENSIONS ARE IN INCHES, NOMINAL, & SUBJECT TO CHANGE WITHOUT NOTICE.
ALL DIMENSIONS ON ROTATIONAL MOLDED PARTS ARE SUBJECT TO A \pm 3% TOLERANCE.

DO NOT SCALE		DRAWN BY	BONAR PLASTICS www.bonarplastics.com		REVISION
STATUS: Released		TS	1005 Atlantic Drive West Chicago, IL 60185 (630)293-0303 www.bonarplastics.com		A
© SNYDER INDUSTRIES INC., 2015					TITLE: SPILL TRUCK KIT W/HARDWARE
ALL DIMENSIONS, DESIGNS, AND INFORMATION ON THIS PRINT MUST BE CONSIDERED PROPRIETARY TO SNYDER INDUSTRIES, INC. AND MAY NOT BE USED, COPIED, OR DISTRIBUTED WITHOUT WRITTEN PERMISSION OF AN OFFICER (OR HIS AGENT) OF THE FIRM.			PART NO.	ENG. ID.	
			6290800T__01	D003612	