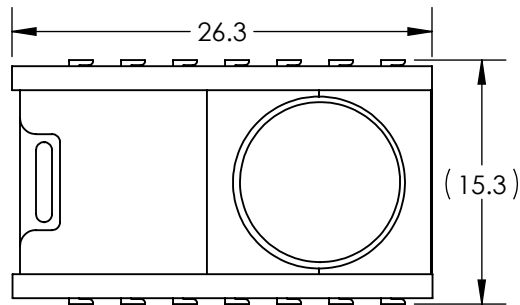
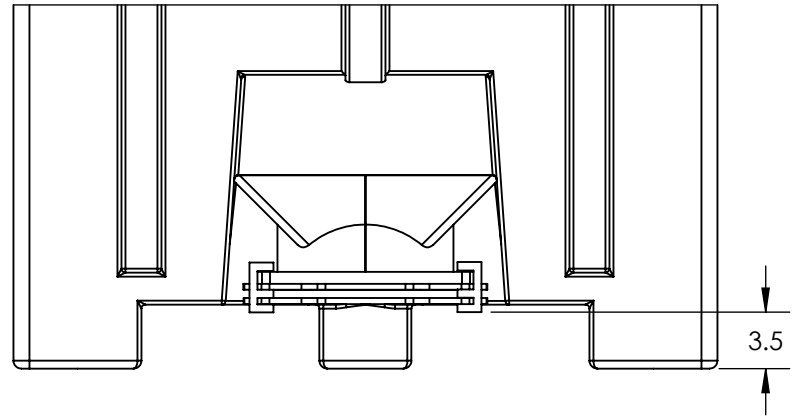
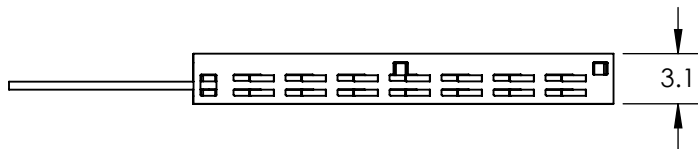


OPEN SLIDEGATE



CLOSED SLIDEGATE



MATERIAL OF CONSTRUCTION IS WHITE
FDA COMPLIANT HDPE

**ALL DIMENSIONS ARE IN INCHES, NOMINAL, & SUBJECT TO CHANGE WITHOUT NOTICE.
ALL DIMENSIONS ON ROTATIONAL MOLDED PARTS ARE SUBJECT TO A ± 3% TOLERANCE.**

DO NOT SCALE		DRAWN BY	BONAR PLASTICS www.bonarplastics.com	TITLE:	REVISION
STATUS:	Released	TS		10IN QUICK GATE - SG10QR	A
© SNYDER INDUSTRIES INC., 2015			1005 Atlantic Drive West Chicago, IL 60185 (630)293-0303	PART NO.	SHEET
ALL DIMENSIONS, DESIGNS, AND INFORMATION ON THIS PRINT MUST BE CONSIDERED PROPRIETARY TO SNYDER INDUSTRIES, INC. AND MAY NOT BE USED, COPIED, OR DISTRIBUTED WITHOUT WRITTEN PERMISSION OF AN OFFICER (OR HIS AGENT) OF THE FIRM.			www.bonarplastics.com	35902614	1 OF 1
				ENG. ID.	D003494