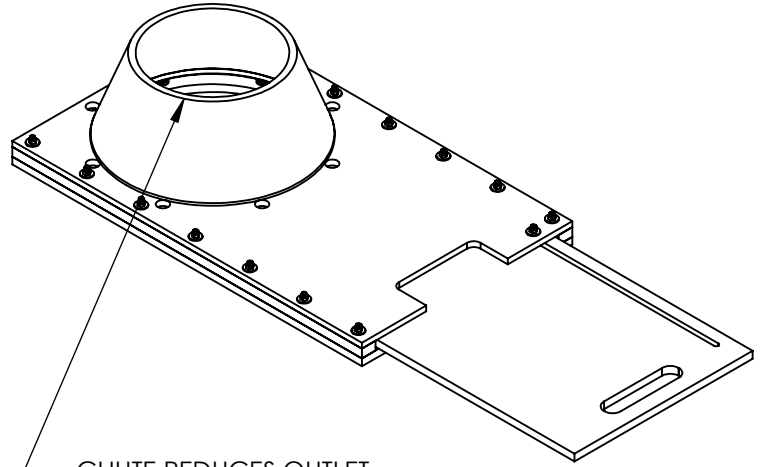
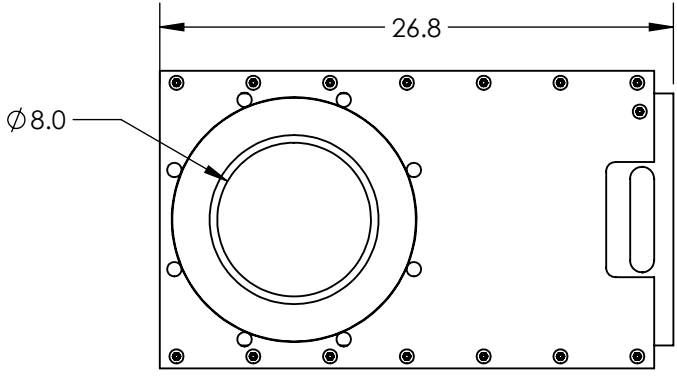


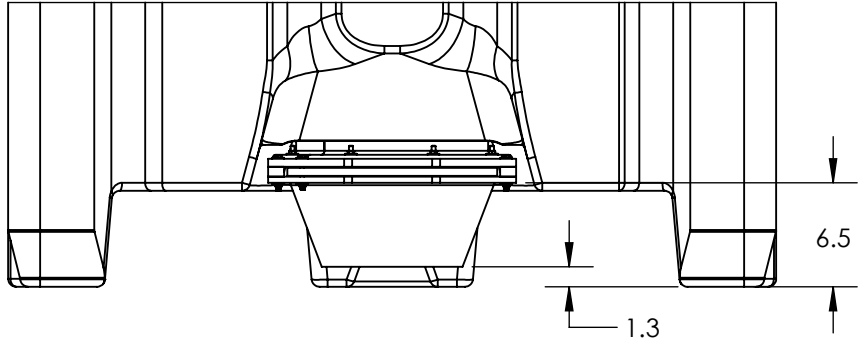
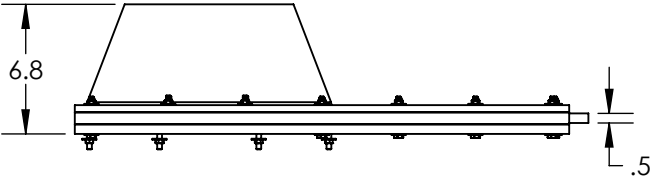
OPENED



CHUTE REDUCES OUTLET DIAMETER FROM 12" TO 8"



CLOSED



AS SHOWN ATTACHED TO HOPPER

NOTES:

1. ALL HARDWARE TO BE STAINLESS STEEL.
2. SLIDE GATE MADE OUT OF HDPE.

ALL DIMENSIONS ARE IN INCHES, NOMINAL, & SUBJECT TO CHANGE WITHOUT NOTICE. ALL DIMENSIONS ON ROTATIONAL MOLDED PARTS ARE SUBJECT TO A ± 3% TOLERANCE.

DO NOT SCALE		DRAWN BY	DATE	 1005 Atlantic Drive West Chicago, IL 60185 (630)293-0303 www.bonarplastics.com	TITLE:	REVISION
STATUS:	Released	ET3	12/10/2014		ASM SLIDE GATE 8096 8IN CHUTE	D
© BONAR PLASTICS, 2014					PART NO.	SHEET
ALL DIMENSIONS, DESIGNS, AND INFORMATION ON THIS PRINT MUST BE CONSIDERED PROPRIETARY TO BONAR PLASTICS AND MAY NOT BE USED, COPIED, OR DISTRIBUTED WITHOUT WRITTEN PERMISSION OF AN OFFICER (OR HIS AGENT) OF THE FIRM.					34702034	1 OF 1
					ENG. ID.	D003309