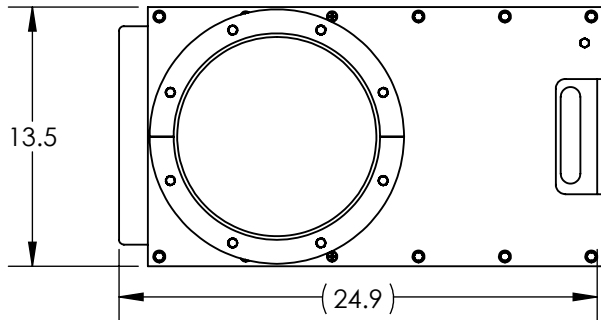
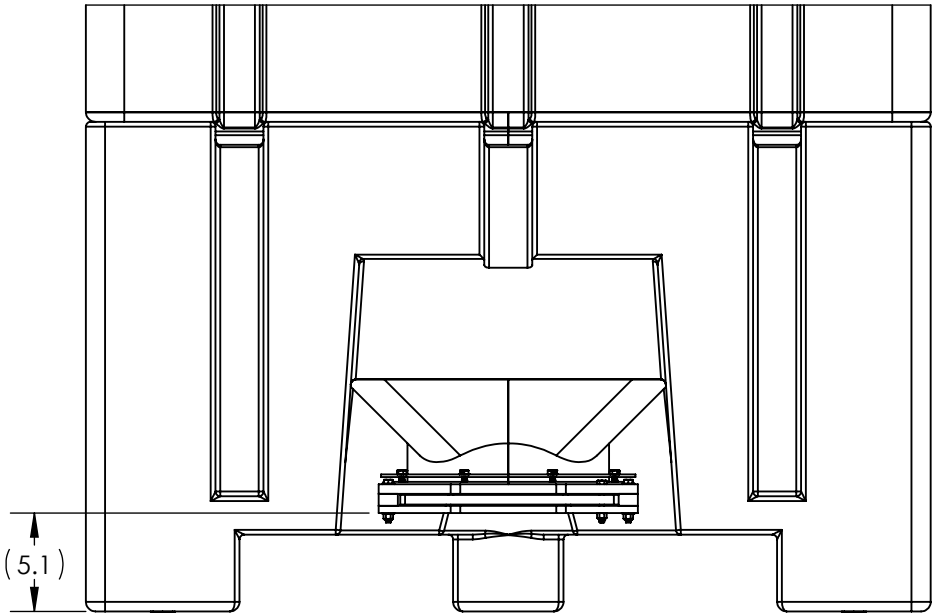
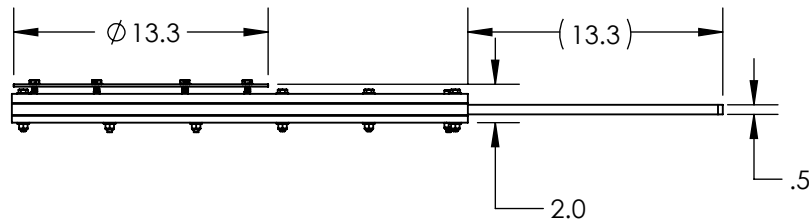


OPENED



CLOSED



NOTES:

1. ALL HARDWARE & BACKUP RINGS TO BE STAINLESS STEEL.
2. SLIDE GATE TO BE MADE OUT OF HDPE.

**ALL DIMENSIONS ARE IN INCHES, NOMINAL, & SUBJECT TO CHANGE WITHOUT NOTICE.
ALL DIMENSIONS ON ROTATIONAL MOLDED PARTS ARE SUBJECT TO A ± 3% TOLERANCE.**

DO NOT SCALE		DRAWN BY		TITLE:	ASM SLIDE GATE 10IN 8090STD	REVISION
STATUS: Released		ET3		REVISION		B
© SNYDER INDUSTRIES, INC., 2019			ALL DIMENSIONS, DESIGNS, AND INFORMATION ON THIS PRINT MUST BE CONSIDERED PROPRIETARY TO SNYDER INDUSTRIES, INC. AND MAY NOT BE USED, COPIED, OR DISTRIBUTED WITHOUT WRITTEN PERMISSION OF AN OFFICER (OR HIS AGENT) OF THE FIRM.	PART NO. 34701850	ENG. ID. D003300	SHEET
						SHEET
			(402) 467-5221 www.snydernet.com			