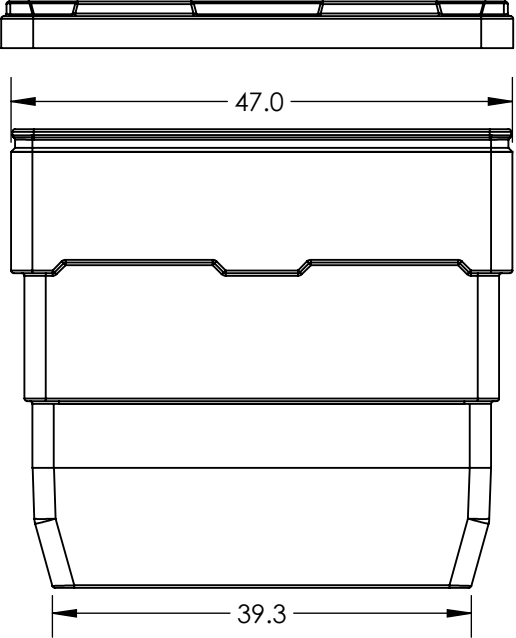
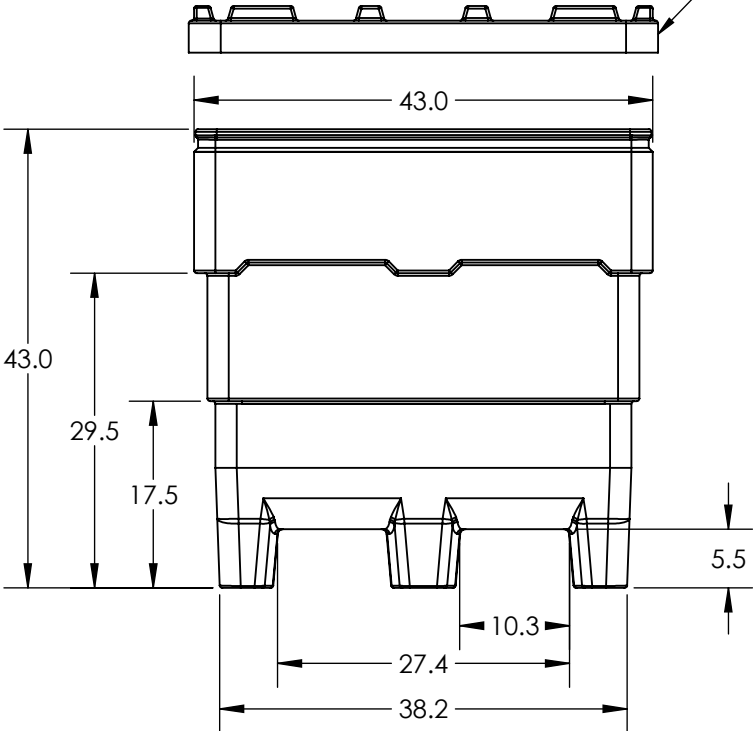


OPTIONAL LID
(TB2-4HDLID)



ALL DIMENSIONS ARE IN INCHES, NOMINAL, & SUBJECT TO CHANGE WITHOUT NOTICE.
ALL DIMENSIONS ON ROTATIONAL MOLDED PARTS ARE SUBJECT TO A ± 3% TOLERANCE.

DO NOT SCALE		DRAWN BY	DATE	 1005 Atlantic Drive West Chicago, IL 60185 (630)293-0303 www.bonarplastics.com	TITLE:	BIN TB242	REVISION	
STATUS:	Released	ET3	12/01/2014		A			
© BONAR PLASTICS, 2014					PART NO.	TB242BIN	ENG. ID.	D003260
<small>ALL DIMENSIONS, DESIGNS, AND INFORMATION ON THIS PRINT MUST BE CONSIDERED PROPRIETARY TO BONAR PLASTICS AND MAY NOT BE USED, COPIED, OR DISTRIBUTED WITHOUT WRITTEN PERMISSION OF AN OFFICER (OR HIS AGENT) OF THE FIRM.</small>								SHEET 1 OF 1