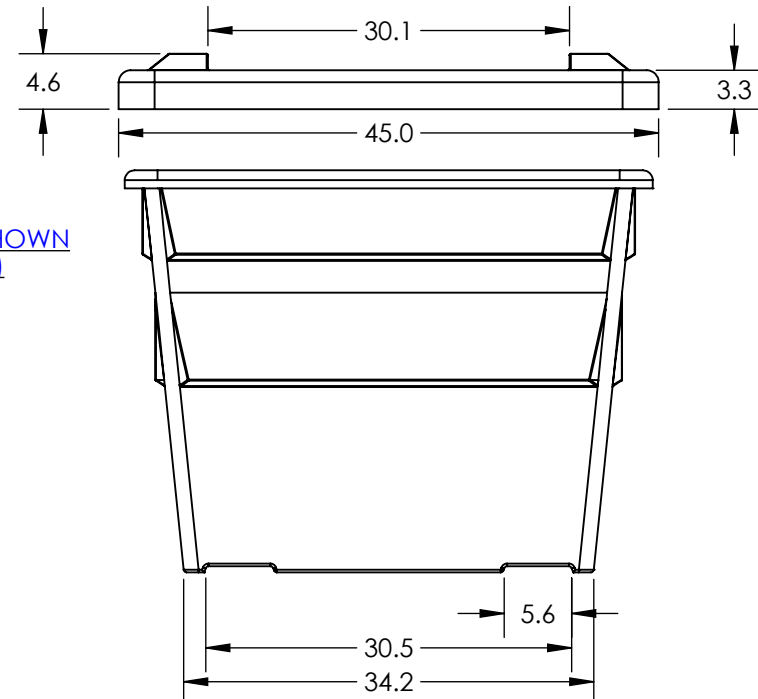


OPTIONAL LID SHOWN
(1927100M)



ALL DIMENSIONS ARE IN INCHES, NOMINAL, & SUBJECT TO CHANGE WITHOUT NOTICE.
ALL DIMENSIONS ON ROTATIONAL MOLDED PARTS ARE SUBJECT TO A ± 3% TOLERANCE.

DO NOT SCALE		DRAWN BY	DATE	BONAR PLASTICS <small>WWW.BONARPLASTICS.COM</small>	TITLE:	VB 28 2WY	REVISION
STATUS:	Released	ET3	11/26/2014		1005 Atlantic Drive West Chicago, IL 60185 (630)293-0303 <small>www.bonarplastics.com</small>		192700M__01
© BONAR PLASTICS, 2014						PART NO.	SHEET 1 OF 1
						D003235	