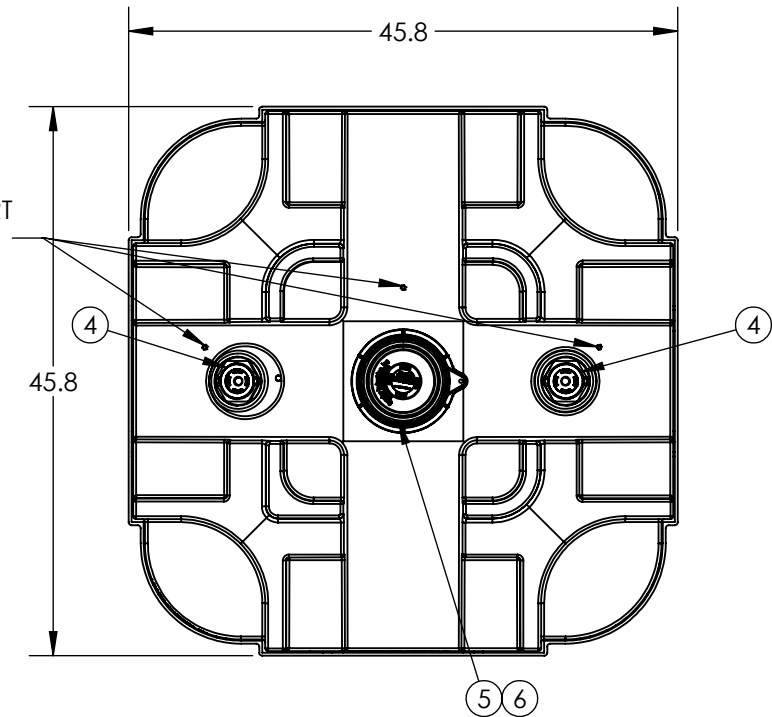


1/4"-20 SS INSERT LOCATIONS



**UN MARKING READS:**

	<b>31H2/Y/ / /USA</b> <b>SNYDER IND. INC.</b> <b>LINCOLN, NE 4462 / 2479</b> <b>CAPACITY - 1249 LITERS</b> <b>TARE MASS - KG</b> <b>GAUGE TEST PRESSURE - 100 KPA</b> <b>LAST LEAKPROOFNESS TEST - /</b> <b>LAST INSPECTION - /</b>
--	--

**SNYDER INDUSTRIES, INC U.N. MARKED CONTAINER CLOSURE NOTIFICATION.**  
 ALL DIMENSIONS ARE IN INCHES, NOMINAL, & SUBJECT TO CHANGE WITHOUT NOTICE.  
 ALL DIMENSIONS ON ROTATIONAL MOLDED PARTS ARE SUBJECT TO A ± 3% TOLERANCE.

**STANDARD 330 SQUARE STACKABLE "STANDARD PACKAGE OF EQUIPMENT"**

ITEM NO.	QTY.	PART NUMBER	DESCRIPTION
7	1	34701262	STD IBC ASSEMBLY KIT W/BAG
6	1	34700822	ASM VENT PE 2IN VACUUM SII W/EPDM
5	1	34700391	ASM CAP PE 6IN H.DUTY 2IN NPT-EPDM W/TIE
4	2	34700340	ASM PLUG 2IN NPS BUNG W/EPDM-WHITE
3	1	34700718	ASM VALVE 2IN 4-BOLT STUBBY 100KPA
2	1	6550000B96701	ASM BASE SQ STK H.DUTY HD/BLK
1	1	6610056B97201	ASM TK 330 SQ HD/NAT BDR 2RB/3INS 6CAP

DO NOT SCALE		DRAWN BY		TITLE:	<b>ASM TK 330 SQ NAT 2RB/3IN 6C HD-BLK EPDM</b>	REVISION
<b>Released</b>		ET3		<b>6610056B97206</b>		<b>A</b>
© SNYDER INDUSTRIES INC., 2015				PART NO.	<b>6610056B97206</b>	ENG. ID.
<small>ALL DIMENSIONS, DESIGNS, AND INFORMATION ON THIS PRINT MUST BE CONSIDERED PROPRIETARY TO SNYDER INDUSTRIES, INC. AND MAY NOT BE USED, COPIED, OR DISTRIBUTED WITHOUT WRITTEN PERMISSION OF AN OFFICER (OR HIS AGENT) OF THE FIRM.</small>				(402) 467-5221 www.snyderinet.com		<b>D002988</b>