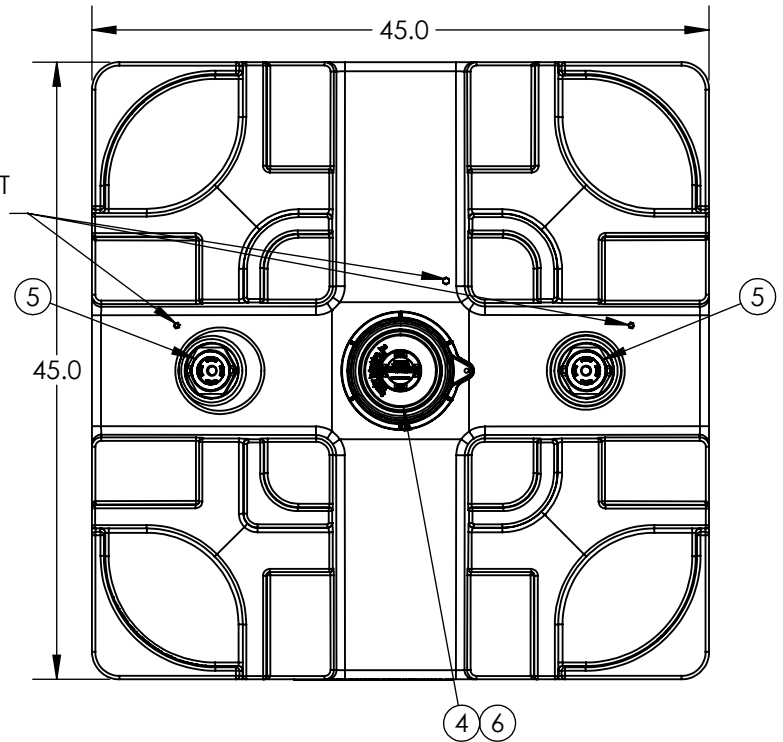


1/4"-20 SS INSERT LOCATIONS



**U.N. MARKING READS:**


**31H2/Y/ / /USA**  
**SNYDER IND. INC.**  
**LINCOLN, NE 4462 / 2479**  
**CAPACITY - 1249 LITERS**  
**TARE MASS - KG**  
**GAUGE TEST PRESSURE - 100 KPA**  
**LAST LEAKPROOFNESS TEST - /**  
**LAST INSPECTION - /**

**SNYDER INDUSTRIES, INC U.N. MARKED CONTAINER CLOSURE NOTIFICATION.**

ALL DIMENSIONS ARE IN INCHES, NOMINAL, & SUBJECT TO CHANGE WITHOUT NOTICE.  
 ALL DIMENSIONS ON ROTATIONAL MOLDED PARTS ARE SUBJECT TO A ± 3% TOLERANCE.

**STANDARD 330 SQUARE STACKABLE "STANDARD PACKAGE OF EQUIPMENT"**

7	1	34701262	STD IBC ASSEMBLY KIT W/BAG
6	1	34700822	ASM VENT PE 2IN VACUUM SII W/EPDM
5	2	34700340	ASM PLUG 2IN NPS BUNG W/EPDM-WHITE
4	1	34700391	ASM CAP PE 6IN H.DUTY 2IN NPS-EPDM W/TIE
3	1	34702616	ASM VALVE 2IN 4-BOLT STUBBY 100KPA
2	1	6210000B97601	ASM BASE SQ STK 4WAY HD/RED
1	1	6610056B97201	ASM TK 330 SQ HD/NAT BDR 2RB/3INS 6CAP

ITEM NO.	QTY.	PART NUMBER	DESCRIPTION	REVISION
DO NOT SCALE		DRAWN BY	 <b>SNYDER INDUSTRIES, INC.</b>	<b>B</b> SHEET 1 OF 1
STATUS: <b>Released</b>		ET3		
© SNYDER INDUSTRIES INC., 2017			<b>ASM TK 330 SQ NAT 2RB/3INS 6C P-RED EPDM</b>	
		(402) 467-5221 www.snyderinet.com	PART NO. <b>6610056B97204</b> ENG. ID. <b>D002987</b>	