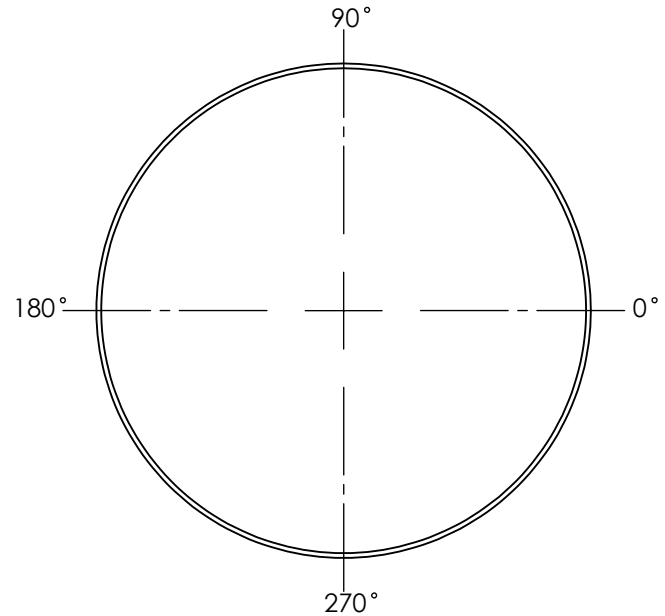


GALLON/LITER MARKS @ 270°



**NOTE:**  
**TANK CAN BE SOLD WITH OPTIONAL STAND. [TANK WITH STAND DRAWING](#)**  
**GALLON MARKS CAN BE REMOVED FOR FITTING PLACEMENT AS NEEDED.**

	<b>LID STYLE</b>		<b>TANK P/N</b>		<b>LID DRAWING</b>	
<b>STANDARD</b>	VOT		568000N__00		SHOWN	
<b>OPTIONAL</b>	BLTD		568000N__98		<a href="#">D002827</a>	
<b>STATUS:</b>	DO NOT SCALE	<b>DRAWN BY</b>	<b>DATE</b>		<b>TITLE:</b>	
<b>Released</b>	IGG	10/06/2014	<b>ASM TK 55VOT X 22</b>			
© SNYDER INDUSTRIES INC., 2014				4700 Fremont Street Lincoln, NE 68504 (402) 467-5221 www.snyder.net.com		<b>REVISION</b>
ALL DIMENSIONS, DESIGNS, AND INFORMATION ON THIS PRINT MUST BE CONSIDERED PROPRIETARY TO SNYDER INDUSTRIES, INC. AND MAY NOT BE USED, COPIED, OR DISTRIBUTED WITHOUT WRITTEN PERMISSION OF AN OFFICER (OR HIS AGENT) OF THE FIRM.				<b>PART NO.</b>		<b>REVISION</b>
				<b>568000N</b>		<b>A</b>
				<b>ENG. ID.</b>		<b>1 OF 1</b>
				<b>D002984</b>		

**\*ALL EXTERNAL PIPING MUST BE INDEPENDENTLY SUPPORTED.**  
**\*ONLY BASE FITTINGS TO BE LEFT INSTALLED AT TIME OF SHIPMENT PER SII PROCEDURE.**  
**\*Consult Snyder's Guidelines for Use and Installation prior to delivery.**  
**Available on-line at <http://www.snyderindustriestanks.com/Technical>**  
**ALL DIMENSIONS ARE IN INCHES, NOMINAL, & SUBJECT TO CHANGE WITHOUT NOTICE.**  
**ALL DIMENSIONS ON ROTATIONAL MOLDED PARTS ARE SUBJECT TO A ± 3% TOLERANCE.**