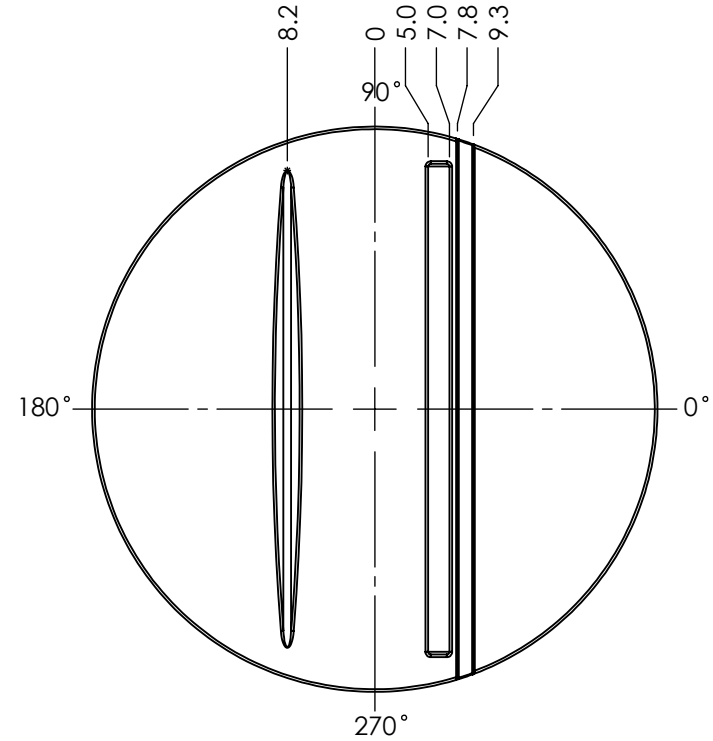


GALLON/LITER MARKS @ 270°



NOTE:
 TANK CAN BE SOLD WITH OPTIONAL STAND. [TANK WITH STAND DRAWING](#)
 GALLON MARKS CAN BE REMOVED FOR FITTING PLACEMENT AS NEEDED.

| | LID STYLE | TANK P/N | LID DRAWING |
|----------|-----------|--------------|-------------------------|
| STANDARD | VOT | 5770000N__00 | SHOWN |
| OPTIONAL | BLTD | 5770000N__98 | D002817 |
| OPTIONAL | HNGD | 5770000N__99 | D002830 |

| | | | | | | | |
|--------------------------------|----------|------|--|------------|---------------------------|----------|----------|
| DO NOT SCALE | DRAWN BY | DATE | SNYDER INDUSTRIES, INC. 4700 Fremont Street Lincoln, NE 68504 (402) 467-5221 www.snyder.net | TITLE: | ASM TK 440VOT X 48 | REVISION | A |
| STATUS: | Released | IGG | | 10/06/2014 | | SHEET | |
| © SNYDER INDUSTRIES INC., 2014 | | | | PART NO. | 5770000N | ENG. ID. | D002982 |

*ALL EXTERNAL PIPING MUST BE INDEPENDENTLY SUPPORTED.
 *ONLY BASE FITTINGS TO BE LEFT INSTALLED AT TIME OF SHIPMENT PER SII PROCEDURE.
 *Consult Snyder's Guidelines for Use and Installation prior to delivery.
 Available on-line at <http://www.snyderindustriestanks.com/Technical>
 ALL DIMENSIONS ARE IN INCHES, NOMINAL, & SUBJECT TO CHANGE WITHOUT NOTICE.
 ALL DIMENSIONS ON ROTATIONAL MOLDED PARTS ARE SUBJECT TO A ± 3% TOLERANCE.