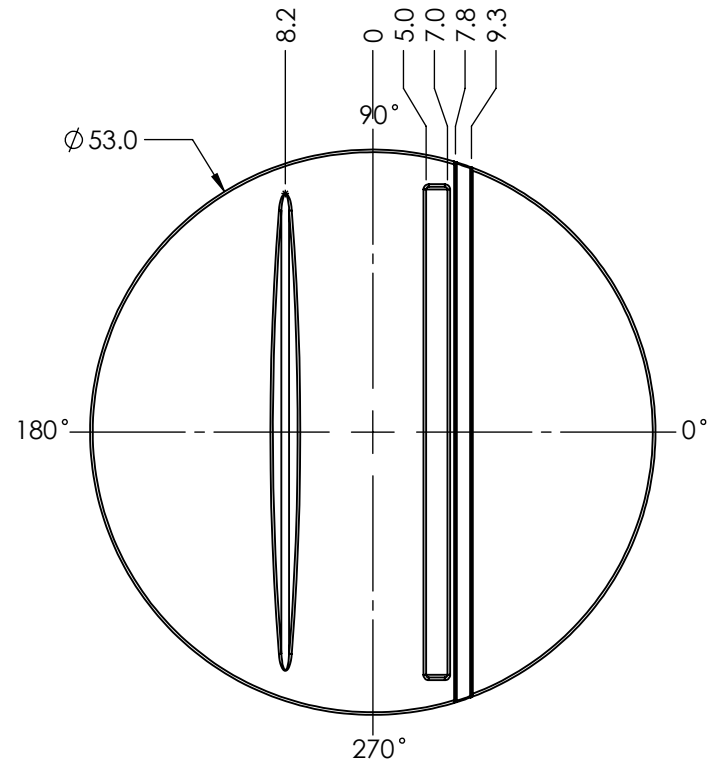


GALLON/LITER MARKS @ 270°



NOTE:
 TANK CAN BE SOLD WITH OPTIONAL STAND. [TANK WITH STAND DRAWING](#)
 GALLON MARKS CAN BE REMOVED FOR FITTING PLACEMENT AS NEEDED.

| | LID STYLE | TANK P/N | LID DRAWING |
|----------|-----------|--------------|-------------------------|
| STANDARD | VOT | 5780000N__00 | SHOWN |
| OPTIONAL | BLTD | 5780000N__98 | D002817 |
| OPTIONAL | HNGD | 5780000N__99 | D002830 |

| | | | | |
|---|--|--------------------------------------|--------------------------|-----------------|
| DO NOT SCALE | | DRAWN BY | TITLE: | REVISION |
| Released | | IGG | ASM TK 500VOT X 48 | A |
| © SNYDER INDUSTRIES, INC., 2018 | | (402) 467-5221 www.snyderinet.com | PART NO. 5780000N__00 | SHEET 1 OF 1 |
| ALL DIMENSIONS, DESIGNS, AND INFORMATION ON THIS PRINT MUST BE CONSIDERED PROPRIETARY TO SNYDER INDUSTRIES, INC. AND MAY NOT BE USED, COPIED, OR DISTRIBUTED WITHOUT WRITTEN PERMISSION OF AN OFFICER (OR HIS AGENT) OF THE FIRM. | | | ENG. ID. D002981 | |

***ALL EXTERNAL PIPING MUST BE INDEPENDENTLY SUPPORTED.**
***ONLY BASE FITTINGS TO BE LEFT INSTALLED AT TIME OF SHIPMENT PER SII PROCEDURE.**
***Consult Snyder's Guidelines for Use and Installation prior to delivery.**
 Available on-line at <http://www.snyderindustriestanks.com/Technical>
ALL DIMENSIONS ARE IN INCHES, NOMINAL, & SUBJECT TO CHANGE WITHOUT NOTICE.
ALL DIMENSIONS ON ROTATIONAL MOLDED PARTS ARE SUBJECT TO A ± 3% TOLERANCE.