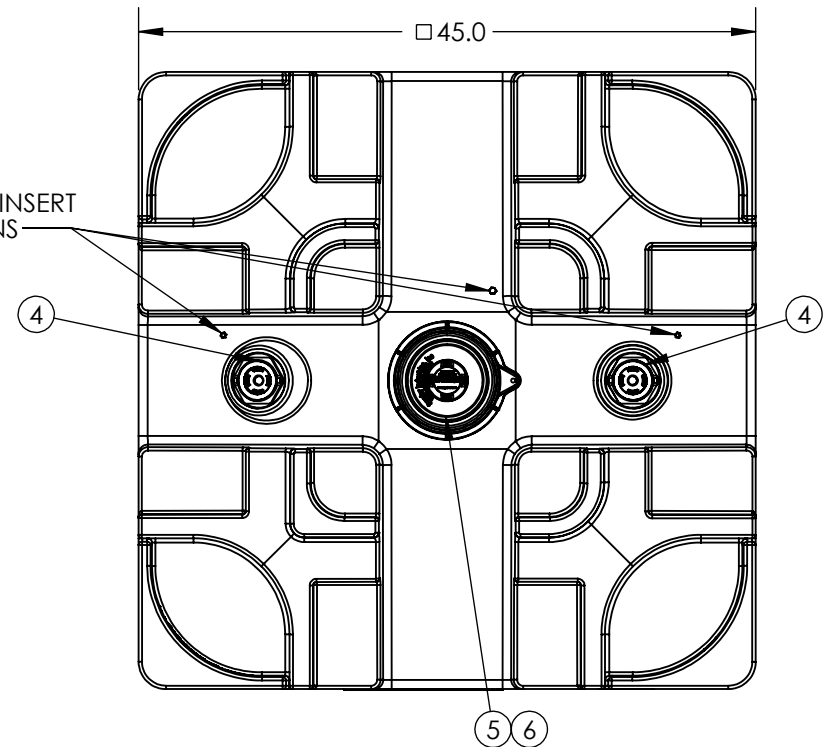


1/4"-20 SS INSERT LOCATIONS



UN MARKING READS:

	<b>31H2/Y/ / /USA</b> <b>M5833 / 3003 / 1668</b>
	<b>CAPACITY - 833 LITERS</b> <b>TARE MASS - KG</b> <b>GAUGE TEST PRESSURE - 100 KPA</b> <b>LAST LEAKPROOFNESS TEST - /</b> <b>LAST INSPECTION - /</b>

**SNYDER INDUSTRIES U.N. MARKED CONTAINER CLOSURE NOTIFICATION.**

ALL DIMENSIONS ARE IN INCHES, NOMINAL, & SUBJECT TO CHANGE WITHOUT NOTICE.  
 ALL DIMENSIONS ON ROTATIONAL MOLDED PARTS ARE SUBJECT TO A ± 3% TOLERANCE.

**STANDARD 220 SQUARE STACKABLE "STANDARD PACKAGE OF EQUIPMENT"**

ITEM NO.	QTY.	PART NUMBER	DESCRIPTION
7	1	34701438	STD 220G IBC ASSEMBLY KIT W/BAG
6	1	34700822	ASM VENT PE 2IN VACUUM SII W/EPDM
5	1	34700391	ASM CAP PE 6IN H.DUTY 2IN NPS-EPDM W/TIE
4	2	34700340	ASM PLUG 2IN NPS BUNG W/EPDM-WHITE
3	1	34702616	ASM VALVE 2IN 4-BOLT STUBBY 100KPA
2	1	6210000B97601	ASM BASE SQ STK 4WAY HD/RED
1	1	6630023B97201	ASM TK 220 SQ HD/NAT BDR/2RB/3INS 6CAP

DO NOT SCALE		DRAWN BY		TITLE:	<b>ASM TK 220 SQ NAT 2RB/3IN 6C PM-RED EPDM</b>	REVISION
Released		ET3		<b>6630023B97202</b>		<b>D002975</b>
© SNYDER INDUSTRIES, LLC, 2019			(402) 467-5221 www.snydernet.com	PART NO.	ENG. ID.	SHEET 1 OF 1

ALL DIMENSIONS, DESIGNS, AND INFORMATION ON THIS PRINT MUST BE CONSIDERED PROPRIETARY TO SNYDER INDUSTRIES, LLC, AND MAY NOT BE USED, COPIED, OR DISTRIBUTED WITHOUT WRITTEN PERMISSION OF AN OFFICER (OR HIS AGENT) OF THE FIRM.