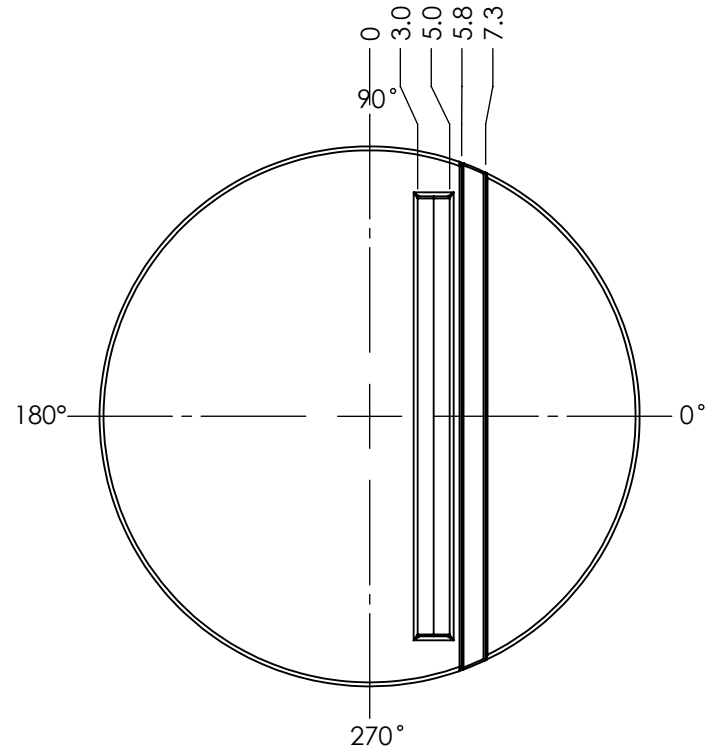


GALLON/LITER MARKS @ 270°



NOTE:
 TANK CAN BE SOLD WITH OPTIONAL STAND. [TANK WITH STAND DRAWING](#)
 GALLON MARKS CAN BE REMOVED FOR FITTING PLACEMENT AS NEEDED.

	LID STYLE	TANK P/N	LID DRAWING
STANDARD	VOT	5710000N__00	SHOWN
OPTIONAL	BLTD	5710000N__98	D002813
OPTIONAL	HNGD	5710000N__99	D002820

DO NOT SCALE		DRAWN BY	TITLE:		REVISION
Released		IGG	ASM TK 150VOT X 30		A
© SNYDER INDUSTRIES, INC., 2018					
<small>ALL DIMENSIONS, DESIGNS, AND INFORMATION ON THIS PRINT MUST BE CONSIDERED PROPRIETARY TO SNYDER INDUSTRIES, INC. AND MAY NOT BE USED, COPIED, OR DISTRIBUTED WITHOUT WRITTEN PERMISSION OF AN OFFICER (OR HIS AGENT) OF THE FIRM.</small>					
		(402) 467-5221 www.snyderinet.com	PART NO.	ENG. ID.	
			5710000N	D002966	

*ALL EXTERNAL PIPING MUST BE INDEPENDENTLY SUPPORTED.
 *ONLY BASE FITTINGS TO BE LEFT INSTALLED AT TIME OF SHIPMENT PER SII PROCEDURE.
 *Consult Snyder's Guidelines for Use and Installation prior to delivery.
 Available on-line at <http://www.snyderindustriestanks.com/Technical>
 ALL DIMENSIONS ARE IN INCHES, NOMINAL, & SUBJECT TO CHANGE WITHOUT NOTICE.
 ALL DIMENSIONS ON ROTATIONAL MOLDED PARTS ARE SUBJECT TO A ± 3% TOLERANCE.