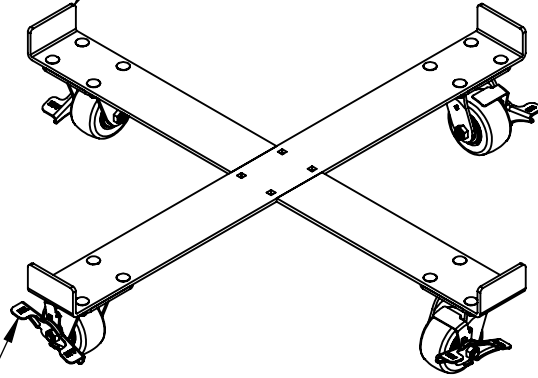
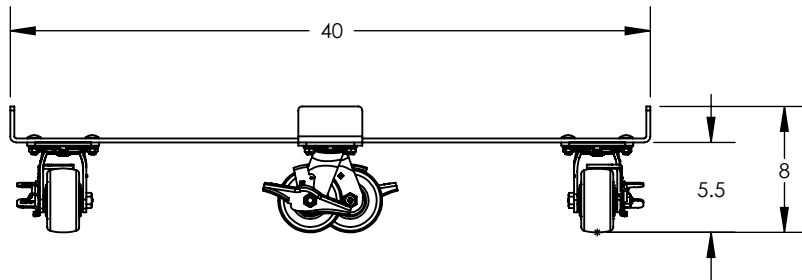



FRAME IS CONSTRUCTED FROM ASTM A36 STEEL WITH BLACK POWDER COAT FINISH



FOUR LOCKING 4" POLYURETHANE CASTERS



ALL DIMENSIONS ARE IN INCHES, NOMINAL, & SUBJECT TO CHANGE WITHOUT NOTICE.
ALL DIMENSIONS ON ROTATIONAL MOLDED PARTS ARE SUBJECT TO A ± 3% TOLERANCE.

DO NOT SCALE	DRAWN BY	DATE		TITLE:	REVISION
STATUS: Released	TS	10/01/2014		ASM REFUSE CAN DOLLY 500 LB CAP	A
© SNYDER INDUSTRIES INC., 2014			4700 Fremont Street Lincoln, NE 68504 (402) 467-5221 www.snydernet.com	PART NO.	ENG. ID.
ALL DIMENSIONS, DESIGNS, AND INFORMATION ON THIS PRINT MUST BE CONSIDERED PROPRIETARY TO SNYDER INDUSTRIES, INC. AND MAY NOT BE USED, COPIED, OR DISTRIBUTED WITHOUT WRITTEN PERMISSION OF AN OFFICER (OR HIS AGENT) OF THE FIRM.				34702372	D002946
					SHEET 1 OF 1