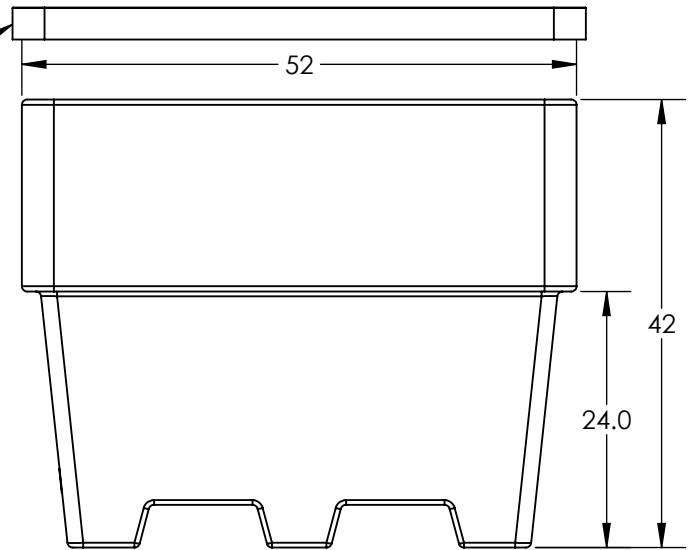


OPTIONAL LID SHOWN  
(1925700M)

OPTIONAL 2" DRAIN  
OPTIONAL 2" EXPANSION PLUG  
(35000257)



ALL DIMENSIONS ARE IN INCHES, NOMINAL, & SUBJECT TO CHANGE WITHOUT NOTICE.  
ALL DIMENSIONS ON ROTATIONAL MOLDED PARTS ARE SUBJECT TO A  $\pm$  3% TOLERANCE.

DO NOT SCALE		DRAWN BY	DATE	 www.bonarplastics.com	TITLE:	REVISION
STATUS:	Released	KB	09/30/2014		1005 Atlantic Drive West Chicago, IL 60185 (630)293-0303 www.bonarplastics.com	BIN 7512 35CF DBL WALL
© SNYDER INDUSTRIES INC., 2014					PART NO.	SHEET
<small>ALL DIMENSIONS, DESIGNS, AND INFORMATION ON THIS PRINT MUST BE CONSIDERED PROPRIETARY TO SNYDER INDUSTRIES, INC. AND MAY NOT BE USED, COPIED, OR DISTRIBUTED WITHOUT WRITTEN PERMISSION OF AN OFFICER (OR HIS AGENT) OF THE FIRM.</small>					1923300M	1 OF 1
					ENG. ID.	D002915