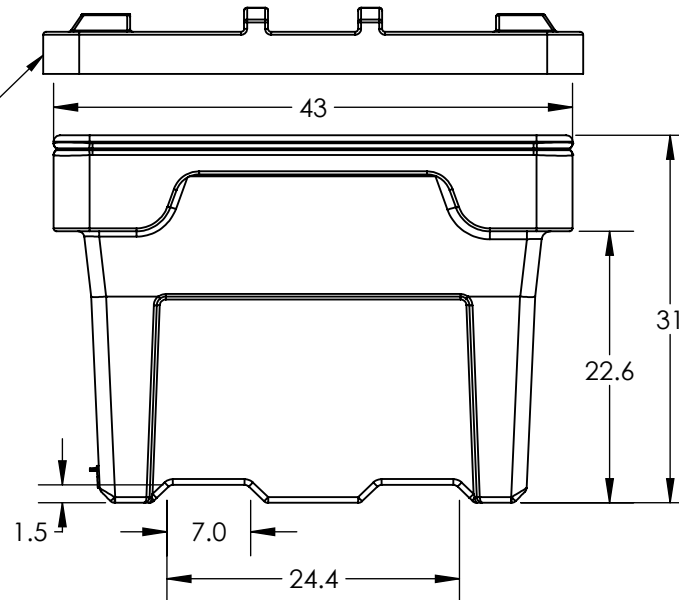


OPTIONAL LID SHOWN
(1926300M)



OPTIONAL DRAIN SHOWN
(34500102)

ALL DIMENSIONS ARE IN INCHES, NOMINAL, & SUBJECT TO CHANGE WITHOUT NOTICE.
ALL DIMENSIONS ON ROTATIONAL MOLDED PARTS ARE SUBJECT TO A \pm 3% TOLERANCE.

DO NOT SCALE		DRAWN BY	DATE	 www.bonarplastics.com	TITLE: BIN 3000 POLYCOMBO 4WY WD WLID 30TL	REVISION
STATUS:	Released	KB	09/29/2014			A
© SNYDER INDUSTRIES INC., 2014				1005 Atlantic Drive West Chicago, IL 60185 (630)293-0303 www.bonarplastics.com	PART NO.	SHEET
					1923800M	1 OF 1
					ENG. ID.	D002910

ALL DIMENSIONS, DESIGNS, AND INFORMATION ON THIS PRINT MUST BE CONSIDERED PROPRIETARY TO SNYDER INDUSTRIES, INC. AND MAY NOT BE USED, COPIED, OR DISTRIBUTED WITHOUT WRITTEN PERMISSION OF AN OFFICER (OR HIS AGENT) OF THE FIRM.