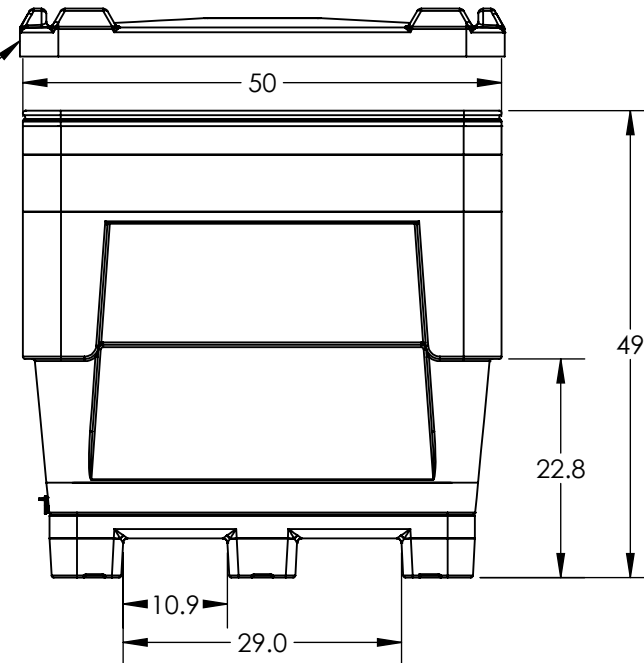


OPTIONAL DRAIN SHOWN  
(34500102)

OPTIONAL LID SHOWN  
(1925410M)



WELDED/SEALED BASE OPTIONAL ON THIS BASE

ALL DIMENSIONS ARE IN INCHES, NOMINAL, & SUBJECT TO CHANGE WITHOUT NOTICE.  
ALL DIMENSIONS ON ROTATIONAL MOLDED PARTS ARE SUBJECT TO A  $\pm$  3% TOLERANCE.

DO NOT SCALE	DRAWN BY	DATE	 www.bonarplastics.com	TITLE:	REVISION
STATUS: <b>Released</b>	KB	09/26/2014		1005 Atlantic Drive West Chicago, IL 60185 (630)293-0303 www.bonarplastics.com	<b>BIN 1148-L POLYCMBO 4WY          WD WLID</b>
© SNYDER INDUSTRIES INC., 2014				PART NO.	ENG. ID.
<small>ALL DIMENSIONS, DESIGNS, AND INFORMATION ON THIS PRINT MUST BE CONSIDERED PROPRIETARY TO SNYDER INDUSTRIES, INC. AND MAY NOT BE USED, COPIED, OR DISTRIBUTED WITHOUT WRITTEN PERMISSION OF AN OFFICER (OR HIS AGENT) OF THE FIRM.</small>				<b>1923110M</b>	<b>D002903</b>
				SHEET	1 OF 1