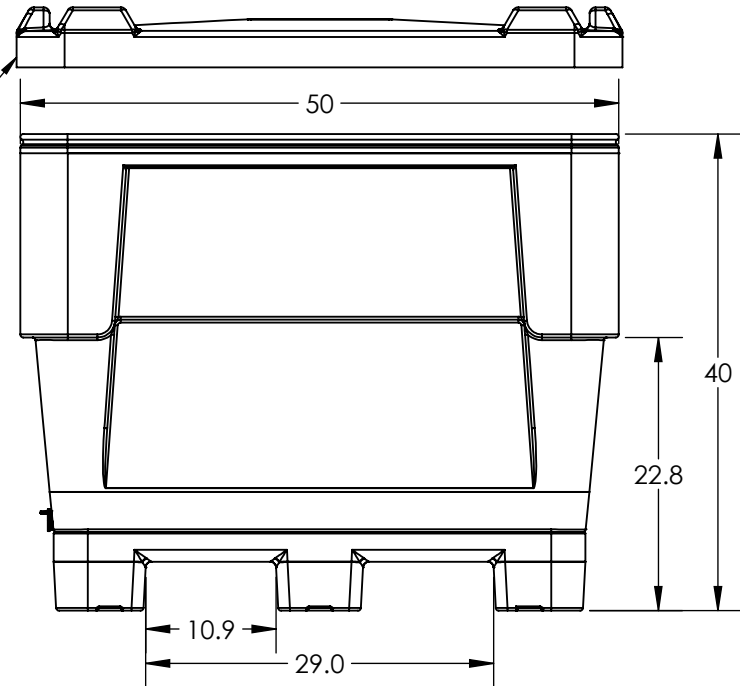


OPTIONAL LID SHOWN
(1925410M)



OPTIONAL DRAIN SHOWN
(34500102)

ALL DIMENSIONS ARE IN INCHES, NOMINAL, & SUBJECT TO CHANGE WITHOUT NOTICE.
ALL DIMENSIONS ON ROTATIONAL MOLDED PARTS ARE SUBJECT TO A \pm 3% TOLERANCE.

DO NOT SCALE		DRAWN BY	DATE	 www.bonarplastics.com	TITLE: BIN 1144-L POLYCMBO 4WY WD WLID	REVISION
STATUS:	Released	KB	09/26/2014			A
© SNYDER INDUSTRIES INC., 2014				1005 Atlantic Drive West Chicago, IL 60185 (630)293-0303	PART NO.	SHEET
				www.bonarplastics.com	1922810M	1 OF 1
					ENG. ID.	D002898