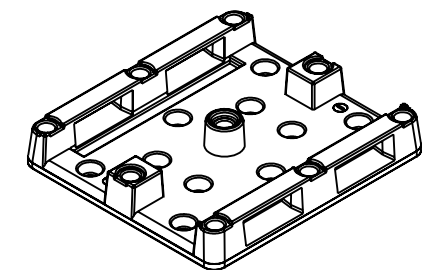
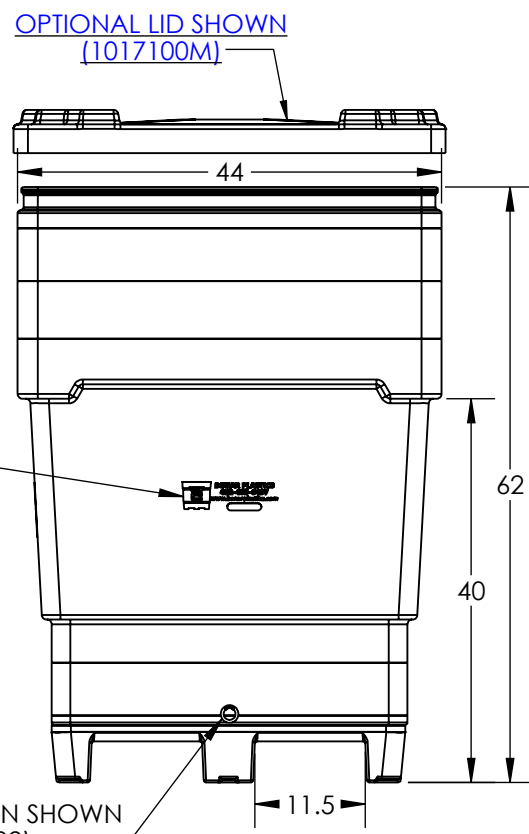
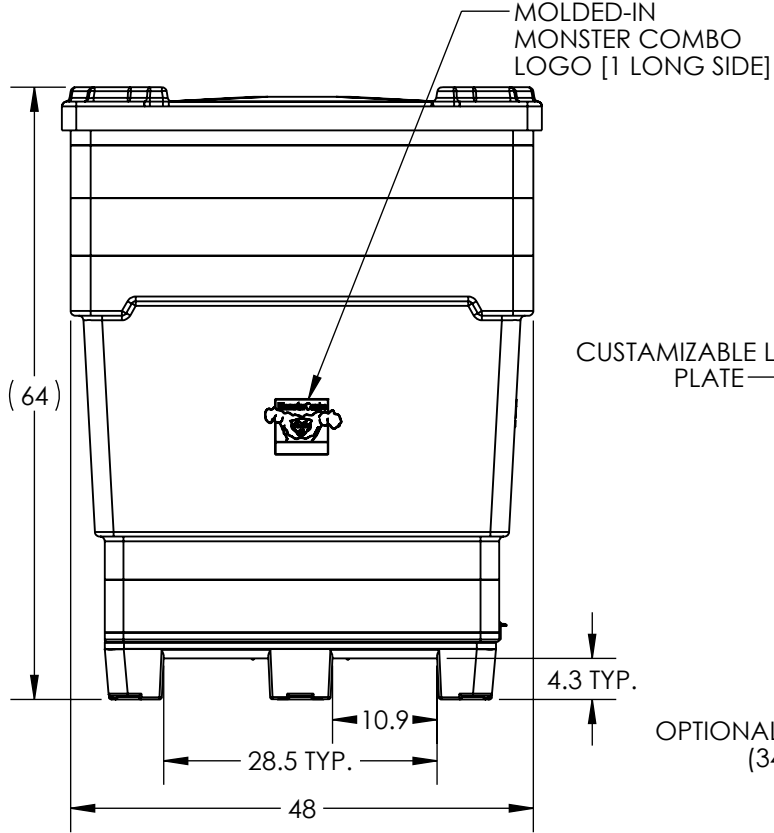
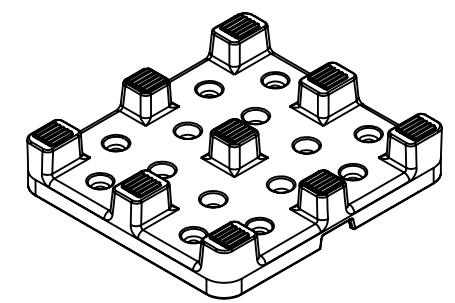


4WY MONSTER COMBO BASE (1016800M)



ROTATABLE MONSTER COMBO BASE (1017000M)
W/CASTERS (1017001M)



MONSTER COMBO REMOVABLE SOCKET BASE (1016900M)

ALL DIMENSIONS ARE IN INCHES, NOMINAL, & SUBJECT TO CHANGE WITHOUT NOTICE.
ALL DIMENSIONS ON ROTATIONAL MOLDED PARTS ARE SUBJECT TO A ± 3% TOLERANCE.

WELDED/SEALED BASE OPTION AVAILABLE ON BIN ASSEMBLIES W/ BOLT-ON BASES.

DO NOT SCALE		DRAWN BY	 A BRAND OF TANK HOLDING CORP. 1005 Atlantic Drive West Chicago, IL 60185 (630)293-0303 www.bonarplastics.com	TITLE:	ASM 2962 MONSTER 4WY	REVISION
STATUS:	Released	KB				D
© TANK HOLDING, CORP. 2023				PART NO.	1031700M	ENG. ID.
<small>ALL DIMENSIONS, DESIGNS, AND INFORMATION ON THIS PRINT MUST BE CONSIDERED PROPRIETARY TO TANK HOLDING, CORP. AND MAY NOT BE USED, COPIED, OR DISTRIBUTED WITHOUT WRITTEN PERMISSION OF AN OFFICER (OR HIS AGENT) OF THE FIRM.</small>					D002881	SHEET 1 OF 1