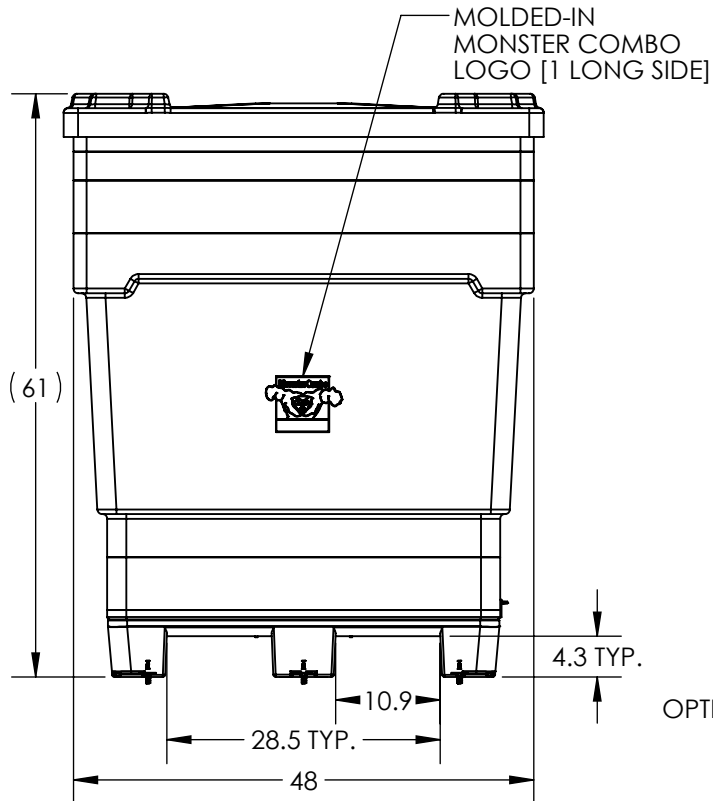
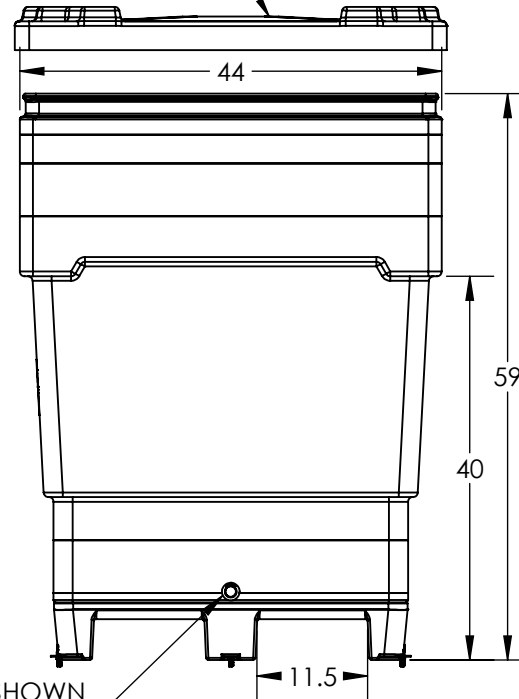


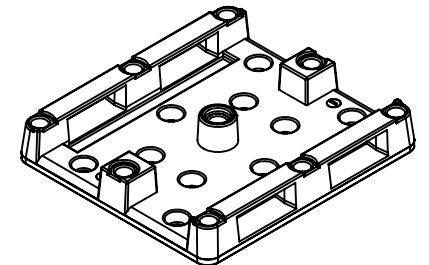
4WY MONSTER COMBO BASE (1016800M)
W/ CASTERS (1016801M)



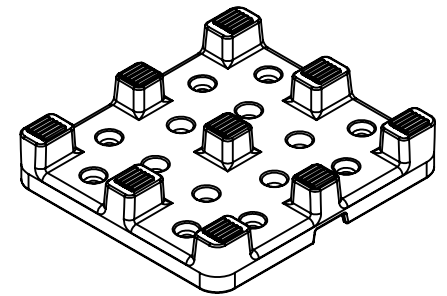
OPTIONAL LID SHOWN
(1017100M)



OPTIONAL DRAIN SHOWN
(34500102)



ROTATABLE MONSTER COMBO
BASE (1017000M)
W/CASTERS (1017001M)



MONSTER COMBO REMOVABLE
SOCKET BASE (1016900M)

WELDED/SEALED BASE OPTION AVAILABLE ON BIN ASSEMBLIES W/ BOLT-ON BASES.

ALL DIMENSIONS ARE IN INCHES, NOMINAL, & SUBJECT TO CHANGE WITHOUT NOTICE.
ALL DIMENSIONS ON ROTATIONAL MOLDED PARTS ARE SUBJECT TO A ± 3% TOLERANCE.

DO NOT SCALE		DRAWN BY	BONAR PLASTICS		REVISION
STATUS:	Released	KB	www.bonarpastics.com		B
© SNYDER INDUSTRIES INC., 2017			1005 Atlantic Drive West Chicago, IL 60185 (630)293-0303		SHEET
ALL DIMENSIONS, DESIGNS, AND INFORMATION ON THIS PRINT MUST BE CONSIDERED PROPRIETARY TO SNYDER INDUSTRIES, INC. AND MAY NOT BE USED, COPIED, OR DISTRIBUTED WITHOUT WRITTEN PERMISSION OF AN OFFICER (OR HIS AGENT) OF THE FIRM.			www.bonarpastics.com		1 OF 1
TITLE:			BIN 2959 MONSTER COMBO 4WY		
PART NO.			1028400M		ENG. ID.
					D002877