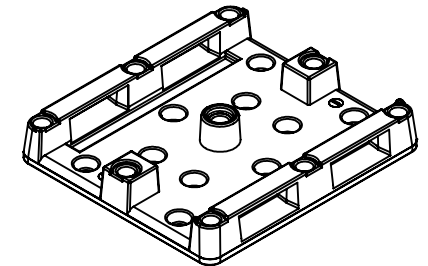
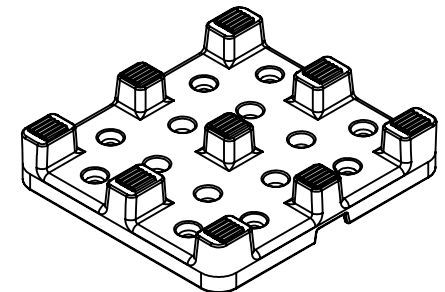


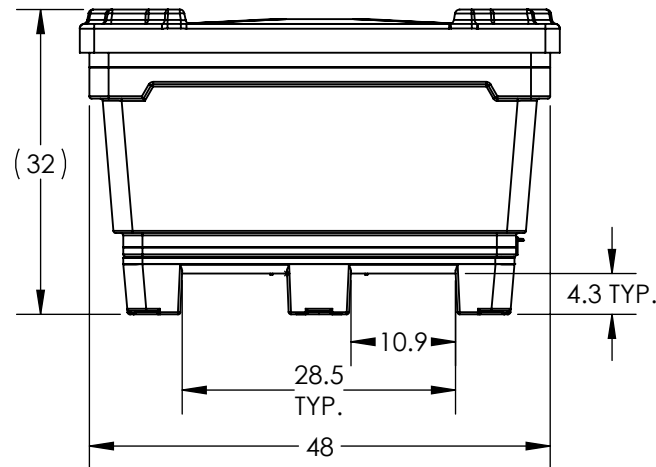
4WY MONSTER COMBO BASE (1016800M)



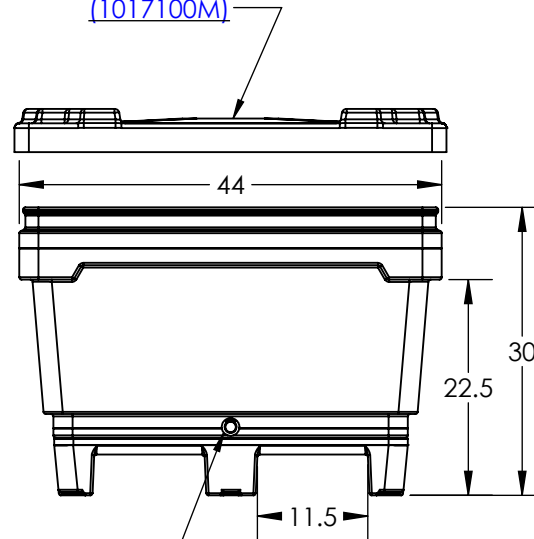
ROTATABLE MONSTER COMBO
BASE (1017000M)
W/CASTERS (1017001M)



MONSTER COMBO REMOVABLE
SOCKET BASE (1016900M)



OPTIONAL LID SHOWN
(1017100M)



OPTIONAL DRAIN SHOWN
(34500102)

WELDED/SEALED BASE OPTION AVAILABLE ON BIN ASSEMBLIES W/ BOLT-ON BASES.

**ALL DIMENSIONS ARE IN INCHES, NOMINAL, & SUBJECT TO CHANGE WITHOUT NOTICE.
ALL DIMENSIONS ON ROTATIONAL MOLDED PARTS ARE SUBJECT TO A ± 3% TOLERANCE.**

DO NOT SCALE		DRAWN BY	 BONAR PLASTICS <small>THE BOLT-ON CONNECTION</small>	TITLE:	BIN 2930 MONSTER CMBO 4WY	REVISION
STATUS:	Released	KB		B		
© SNYDER INDUSTRIES, LLC, 2019			1005 Atlantic Drive West Chicago, IL 60185 (630)293-0303 www.bonarplastics.com	PART NO.	1017200M	SHEET
<small>ALL DIMENSIONS, DESIGNS, AND INFORMATION ON THIS PRINT MUST BE CONSIDERED PROPRIETARY TO SNYDER INDUSTRIES, LLC, AND MAY NOT BE USED, COPIED, OR DISTRIBUTED WITHOUT WRITTEN PERMISSION OF AN OFFICER (OR HIS AGENT) OF THE FIRM.</small>				ENG. ID.	D002876	1 OF 1