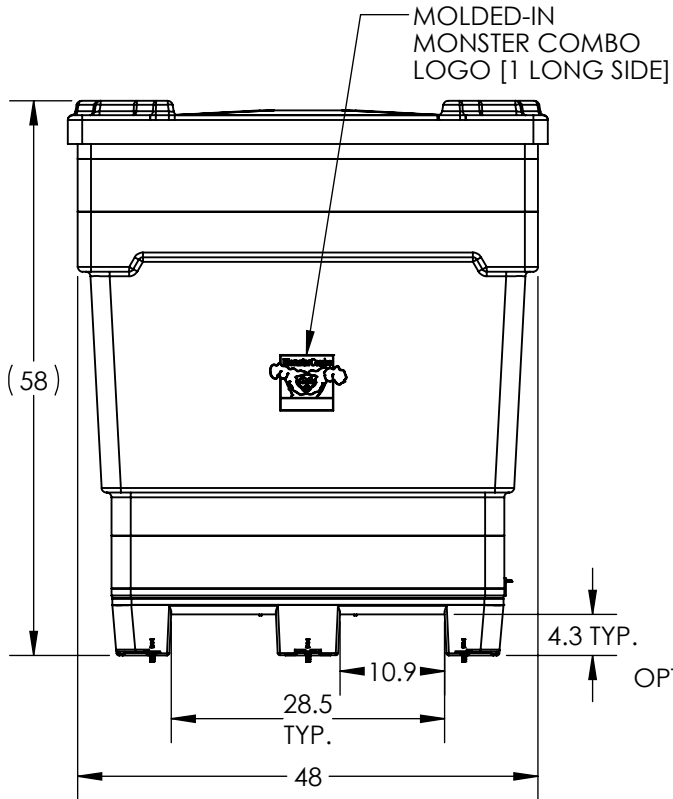
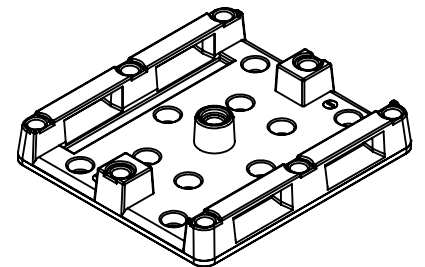
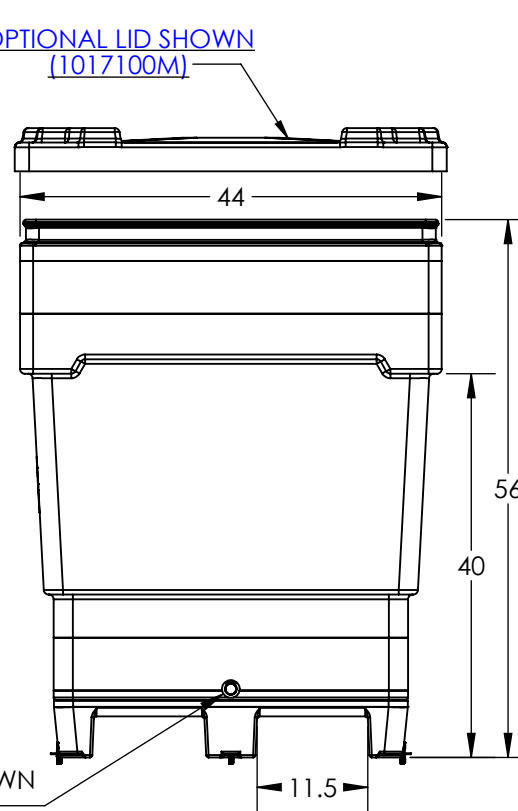


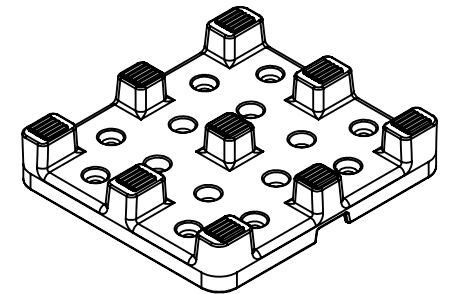
4WY MONSTER COMBO BASE (1016800M)
W/ CASTERS (1016801M)



OPTIONAL LID SHOWN
(1017100M)



ROTATABLE MONSTER COMBO
BASE (1017000M)
W/CASTERS (1017001M)



MONSTER COMBO REMOVABLE
SOCKET BASE (1016900M)

OPTIONAL DRAIN SHOWN
(34500102)

WELDED/SEALED BASE OPTION AVAILABLE ON BIN ASSEMBLIES W/ BOLT-ON BASES.

**ALL DIMENSIONS ARE IN INCHES, NOMINAL, & SUBJECT TO CHANGE WITHOUT NOTICE.
ALL DIMENSIONS ON ROTATIONAL MOLDED PARTS ARE SUBJECT TO A ± 3% TOLERANCE.**

DO NOT SCALE		DRAWN BY	BONAR PLASTICS		TITLE:	REVISION
STATUS:	Released	KB	www.bonarplastics.com		BIN 2956 MONSTER COMBO	B
© SNYDER INDUSTRIES INC., 2017			1005 Atlantic Drive West Chicago, IL 60185 (630)293-0303		4WY	SHEET
ALL DIMENSIONS, DESIGNS, AND INFORMATION ON THIS PRINT MUST BE CONSIDERED PROPRIETARY TO SNYDER INDUSTRIES, INC. AND MAY NOT BE USED, COPIED, OR DISTRIBUTED WITHOUT WRITTEN PERMISSION OF AN OFFICER (OR HIS AGENT) OF THE FIRM.			www.bonarplastics.com		PART NO.	1 OF 1
					1016700M	D002875