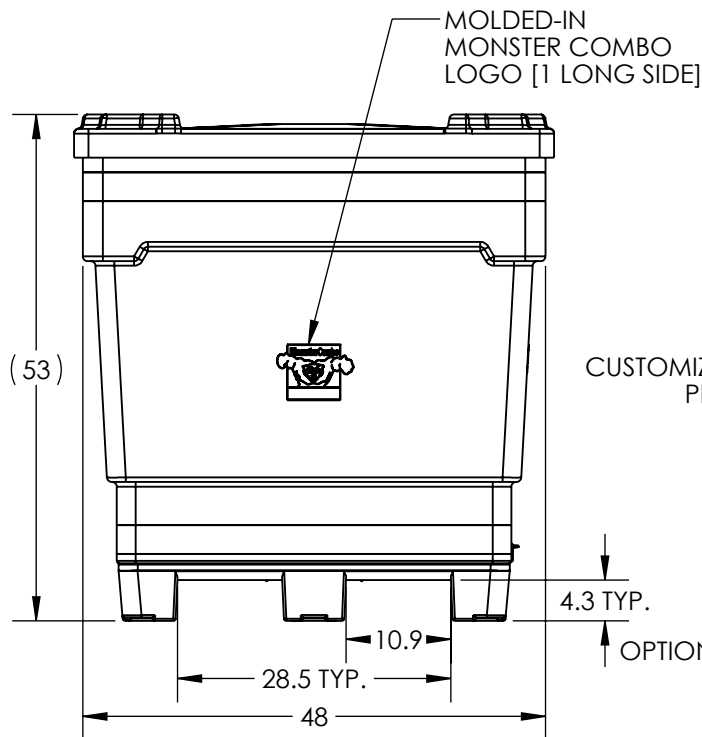
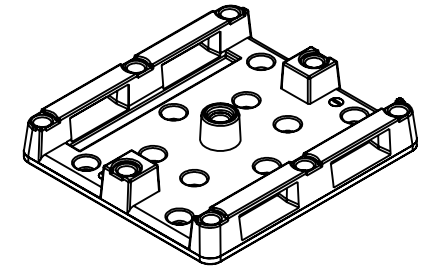
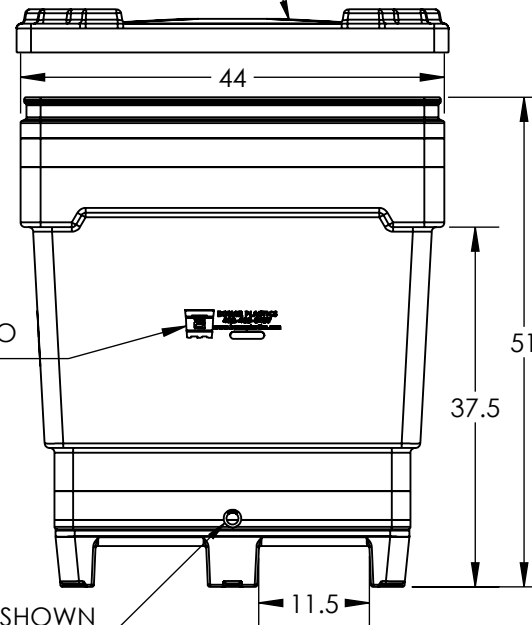


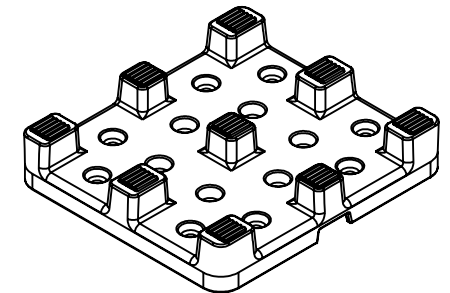
4WY MONSTER COMBO BASE (1016800M)



OPTIONAL LID SHOWN (1017100M)



ROTATABLE MONSTER COMBO BASE (1017000M)
W/CASTERS (1017001M)



MONSTER COMBO REMOVABLE SOCKET BASE (1016900M)

WELDED/SEALED BASE OPTION AVAILABLE ON BIN ASSEMBLIES W/ BOLT-ON BASES.

**ALL DIMENSIONS ARE IN INCHES, NOMINAL, & SUBJECT TO CHANGE WITHOUT NOTICE.
ALL DIMENSIONS ON ROTATIONAL MOLDED PARTS ARE SUBJECT TO A ± 3% TOLERANCE.**

DO NOT SCALE		DRAWN BY	TITLE		REVISION
STATUS:	Released	KB	BIN 2951 MONSTER COMBO 4WY		D
© TANK HOLDING, CORP. 2023			A BRAND OF TANK HOLDING CORP. 1005 Atlantic Drive West Chicago, IL 60185 (630)293-0303 www.bonarplastics.com		SHEET 1 OF 1
ALL DIMENSIONS, DESIGNS, AND INFORMATION ON THIS PRINT MUST BE CONSIDERED PROPRIETARY TO TANK HOLDING, CORP. AND MAY NOT BE USED, COPIED, OR DISTRIBUTED WITHOUT WRITTEN PERMISSION OF AN OFFICER (OR HIS AGENT) OF THE FIRM.			PART NO.	ENG. ID.	
			1016600M	D002874	