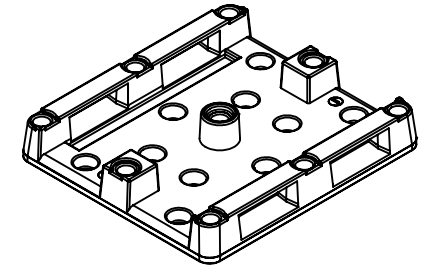
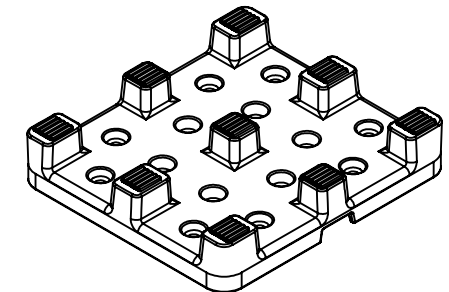


4WY MONSTER COMBO BASE (1016800M)
W/ CASTERS (1016801M)

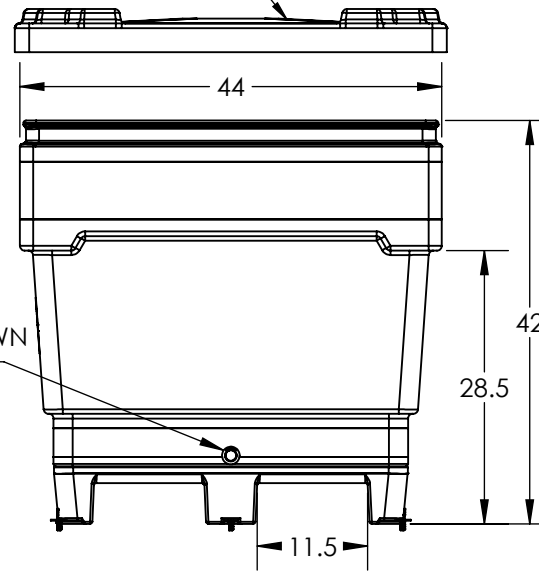


ROTATABLE MONSTER COMBO
BASE (1017000M)
W/CASTERS (1017001M)



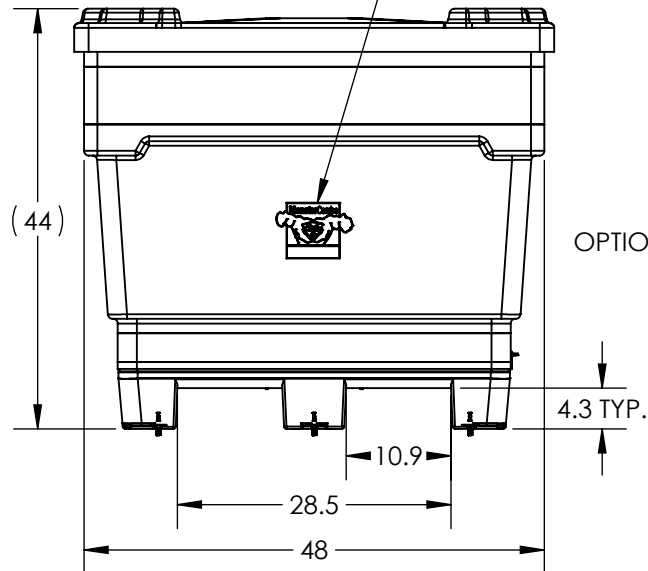
MONSTER COMBO REMOVABLE
SOCKET BASE (1016900M)

OPTIONAL LID SHOWN
(1017100M)



MOLDED-IN
MONSTER COMBO
LOGO [1 LONG SIDE]

OPTION DRAIN SHOWN
(34500102)



WELDED/SEALED BASE OPTION AVAILABLE ON BIN ASSEMBLIES W/ BOLT-ON BASES.

**ALL DIMENSIONS ARE IN INCHES, NOMINAL, & SUBJECT TO CHANGE WITHOUT NOTICE.
ALL DIMENSIONS ON ROTATIONAL MOLDED PARTS ARE SUBJECT TO A ± 3% TOLERANCE.**

DO NOT SCALE		DRAWN BY	BONAR PLASTICS WWW.BONARPLASTICS.COM		TITLE:	BIN 2942 MONSTER COMBO		REVISION
STATUS:	Released	KB	1005 Atlantic Drive West Chicago, IL 60185 (630)293-0303		4WY		B	
© SNYDER INDUSTRIES INC., 2017			www.bonarplastics.com		PART NO.	1016300M	ENG. ID.	D002871
ALL DIMENSIONS, DESIGNS, AND INFORMATION ON THIS PRINT MUST BE CONSIDERED PROPRIETARY TO SNYDER INDUSTRIES, INC. AND MAY NOT BE USED, COPIED, OR DISTRIBUTED WITHOUT WRITTEN PERMISSION OF AN OFFICER (OR HIS AGENT) OF THE FIRM.								
							SHEET	1 OF 1