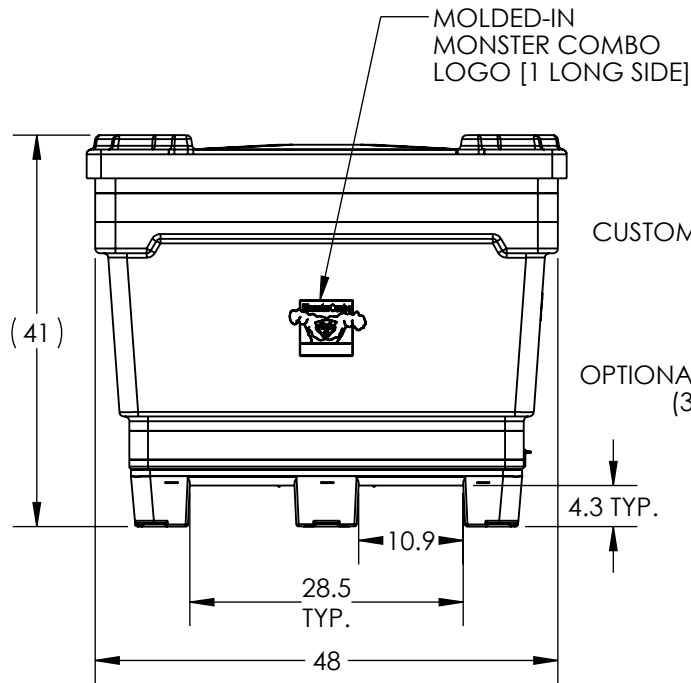
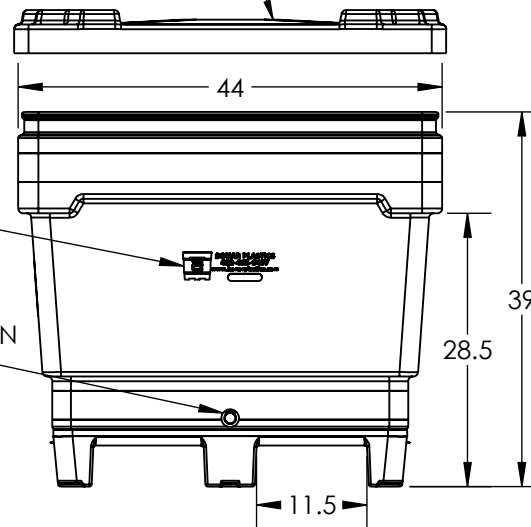


[OPTIONAL LID SHOWN \(1017100M\)](#)



WELDED/SEALED BASE OPTION AVAILABLE ON BIN ASSEMBLIES W/ BOLT-ON BASES.

DO NOT SCALE		DRAWN BY	TITLE		REVISION
STATUS:	Released	KB	BIN 2939 MONSTER COMBO 4WY		D
© TANK HOLDING, CORP. 2023		 A BRAND OF TANK HOLDING CORP. 1005 Atlantic Drive West Chicago, IL 60185 (630)293-0303 www.bonarplastics.com		SHEET	1 OF 1
		PART NO.	1016200M	ENG. ID.	D002870

ALL DIMENSIONS ARE IN INCHES, NOMINAL, & SUBJECT TO CHANGE WITHOUT NOTICE.
ALL DIMENSIONS ON ROTATIONAL MOLDED PARTS ARE SUBJECT TO A ± 3% TOLERANCE.

ALL DIMENSIONS, DESIGNS, AND INFORMATION ON THIS PRINT MUST BE CONSIDERED PROPRIETARY TO TANK HOLDING, CORP. AND MAY NOT BE USED, COPIED, OR DISTRIBUTED WITHOUT WRITTEN PERMISSION OF AN OFFICER (OR HIS AGENT) OF THE FIRM.