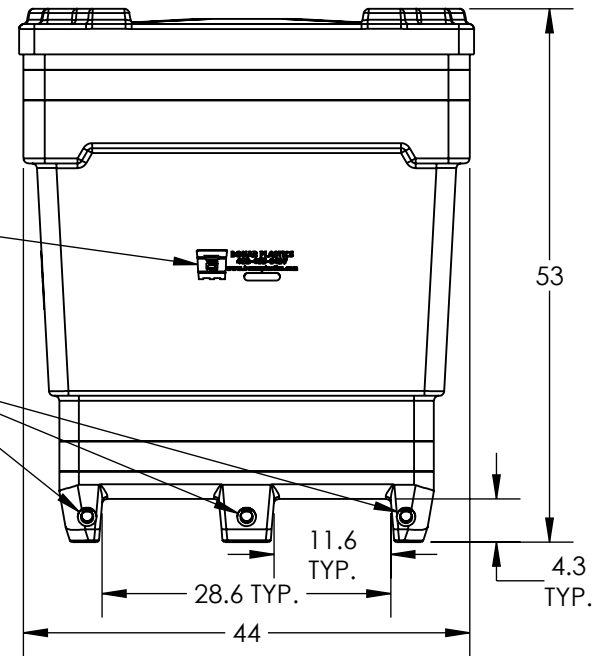


OPTIONAL LID SHOWN
(1017100M)

CUSTOMIZABLE LOGO PLATE
[SHORT SIDE]

OPTIONAL DRAINS SHOWN
(34500102)

MOLDED-IN
MONSTER COMBO
LOGO [1 LONG SIDE]



ALL DIMENSIONS ARE IN INCHES, NOMINAL, & SUBJECT TO CHANGE WITHOUT NOTICE.
ALL DIMENSIONS ON ROTATIONAL MOLDED PARTS ARE SUBJECT TO A \pm 3% TOLERANCE.

DO NOT SCALE		DRAWN BY	 A BRAND OF TANK HOLDING CORP. 1005 Atlantic Drive West Chicago, IL 60185 (630)293-0303 www.bonarplastics.com	TITLE:	BIN 2851 MONSTER CMBO 2WY WD WLID	REVISION
STATUS:	Released	KB		PART NO.		1015800M
© TANK HOLDING, CORP, 2023						SHEET 1 OF 1
<small>ALL DIMENSIONS, DESIGNS, AND INFORMATION ON THIS PRINT MUST BE CONSIDERED PROPRIETARY TO TANK HOLDING, CORP. AND MAY NOT BE USED, COPIED, OR DISTRIBUTED WITHOUT WRITTEN PERMISSION OF AN OFFICER (OR HIS AGENT) OF THE FIRM.</small>						D002856