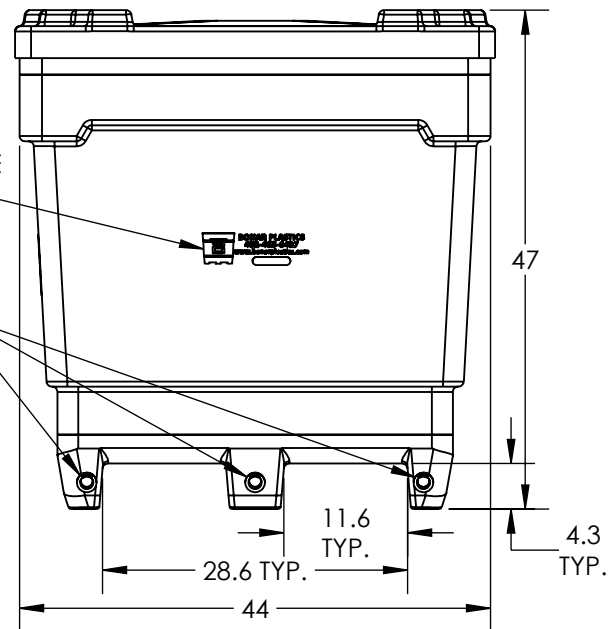


OPTIONAL LID SHOWN
(1017100M)

CUSTOMIZABLE LOGO PLATE
[SHORT SIDE]

OPTIONAL DRAINS SHOWN
(34500102)

MOLDED-IN
MONSTER COMBO
LOGO



ALL DIMENSIONS ARE IN INCHES, NOMINAL, & SUBJECT TO CHANGE WITHOUT NOTICE.
ALL DIMENSIONS ON ROTATIONAL MOLDED PARTS ARE SUBJECT TO A \pm 3% TOLERANCE.

DO NOT SCALE		DRAWN BY	TITLE:		REVISION
STATUS:	Released	KB	BONAR PLASTICS A BRAND OF TANK HOLDING CORP. 1005 Atlantic Drive West Chicago, IL 60185 (630)293-0303 www.bonarplastics.com		B
© TANK HOLDING, CORP, 2023			BIN 2845 MONSTER CMBO 2WY WD WLID		SHEET 1 OF 1
ALL DIMENSIONS, DESIGNS, AND INFORMATION ON THIS PRINT MUST BE CONSIDERED PROPRIETARY TO TANK HOLDING, CORP. AND MAY NOT BE USED, COPIED, OR DISTRIBUTED WITHOUT WRITTEN PERMISSION OF AN OFFICER (OR HIS AGENT) OF THE FIRM.			PART NO.	ENG. ID.	
			1015600M	D002853	