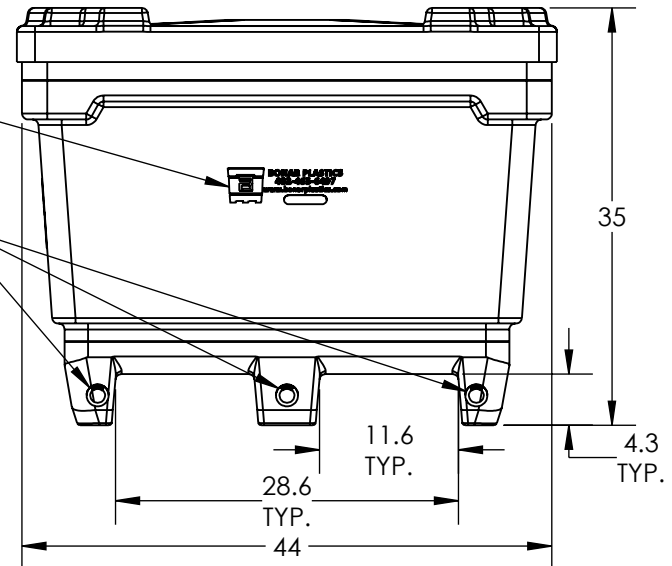


OPTIONAL LID SHOWN  
(1017100M)

CUSTOMIZABLE LOGO PLATE  
[SHORT SIDE]

OPTIONAL DRAINS SHOWN  
(34500102)

MOLDED-IN  
MONSTER COMBO  
LOGO [1 LONG SIDE]



ALL DIMENSIONS ARE IN INCHES, NOMINAL, & SUBJECT TO CHANGE WITHOUT NOTICE.  
ALL DIMENSIONS ON ROTATIONAL MOLDED PARTS ARE SUBJECT TO A  $\pm$  3% TOLERANCE.

|  |                 |          |  |                |                 |
|--|-----------------|----------|--|----------------|-----------------|
| DO NOT SCALE   |                 | DRAWN BY | TITLE:   |                | REVISION        |
| STATUS:  | <b>Released</b> | KB       | <b>BONAR PLASTICS</b><br>A BRAND OF<br>TANK HOLDING CORP.<br>1005 Atlantic Drive<br>West Chicago, IL 60185<br>(630)293-0303<br>www.bonarplastics.com |                | <b>B</b>        |
| © TANK HOLDING, CORP. 2023   |                 |          | <b>BIN 2833 MONSTER CMBO<br/>2WY WD WLID</b>   |                | SHEET<br>1 OF 1 |
| ALL DIMENSIONS, DESIGNS, AND INFORMATION ON THIS PRINT MUST BE<br>CONSIDERED PROPRIETARY TO TANK HOLDING, CORP. AND MAY NOT<br>BE USED, COPIED, OR DISTRIBUTED WITHOUT WRITTEN PERMISSION OF AN<br>OFFICER (OR HIS AGENT) OF THE FIRM. |                 |          | PART NO.   | ENG. ID.       |                 |
|  |                 |          | <b>1015200M</b>  | <b>D002849</b> |                 |